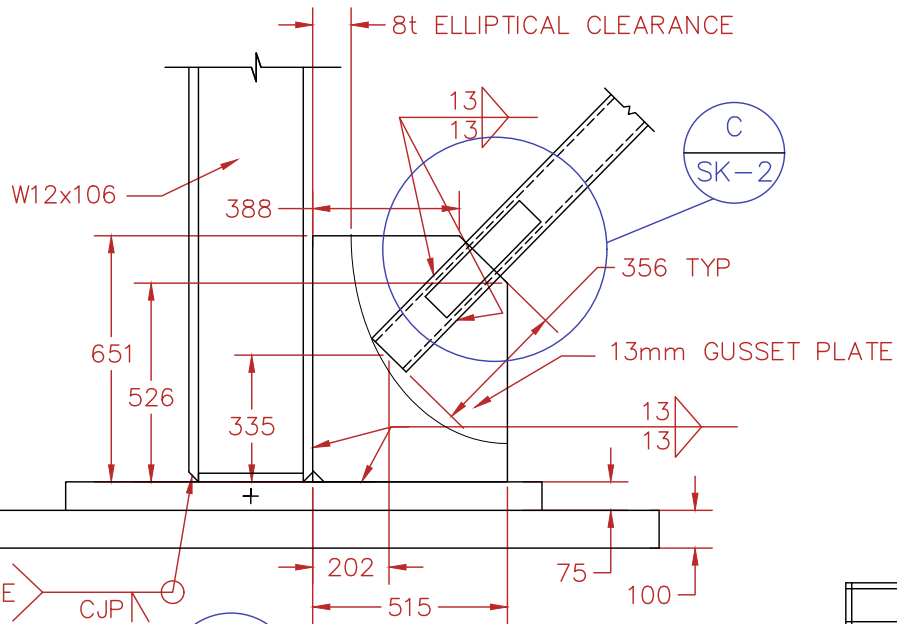
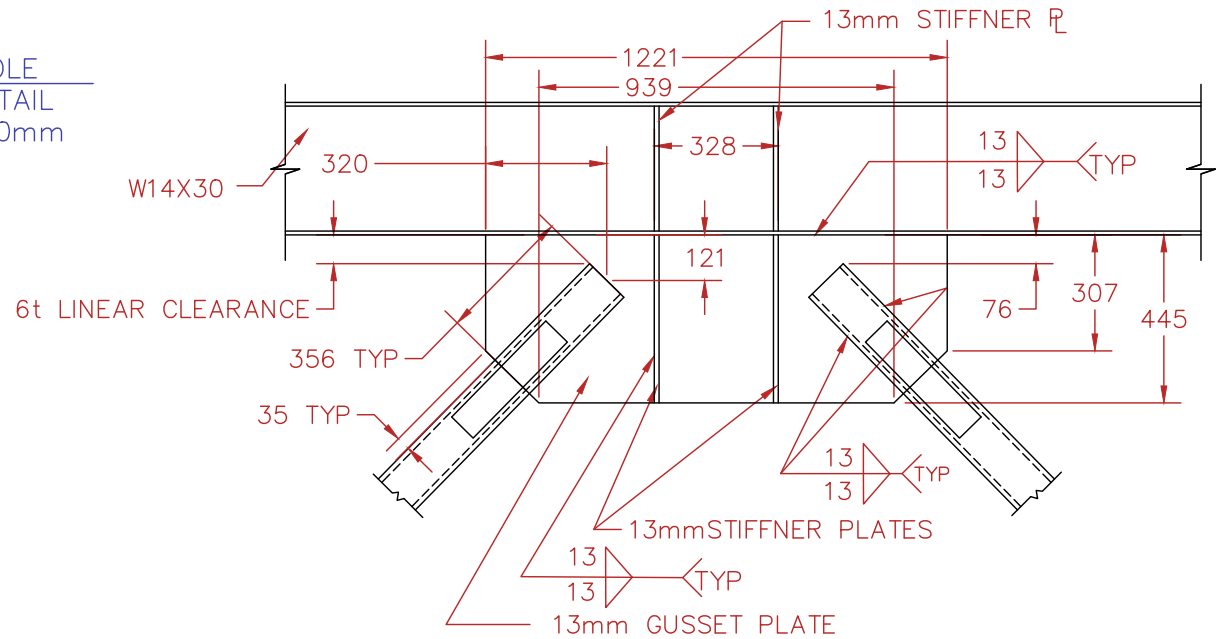


SCALE: 1mm = 50mm

SCBF ELEVATION WITH W14X30 BEAMS	
MULTI STORY SCBF WITH YIELDING BEAMS	
DRAWN BY: SMI DESIGNED BY: SMI DATE: 1/17/2018 CONTACT: SMIBARRA@UW.EDU	DWG: SK-1

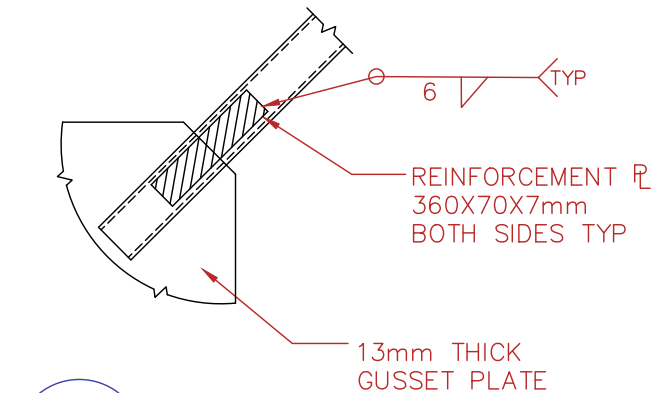
B
SK-2

LOWER LEVEL MIDDLE
GUSSET PLATE DETAIL
SCALE: 1mm = 20mm



A
SK-2

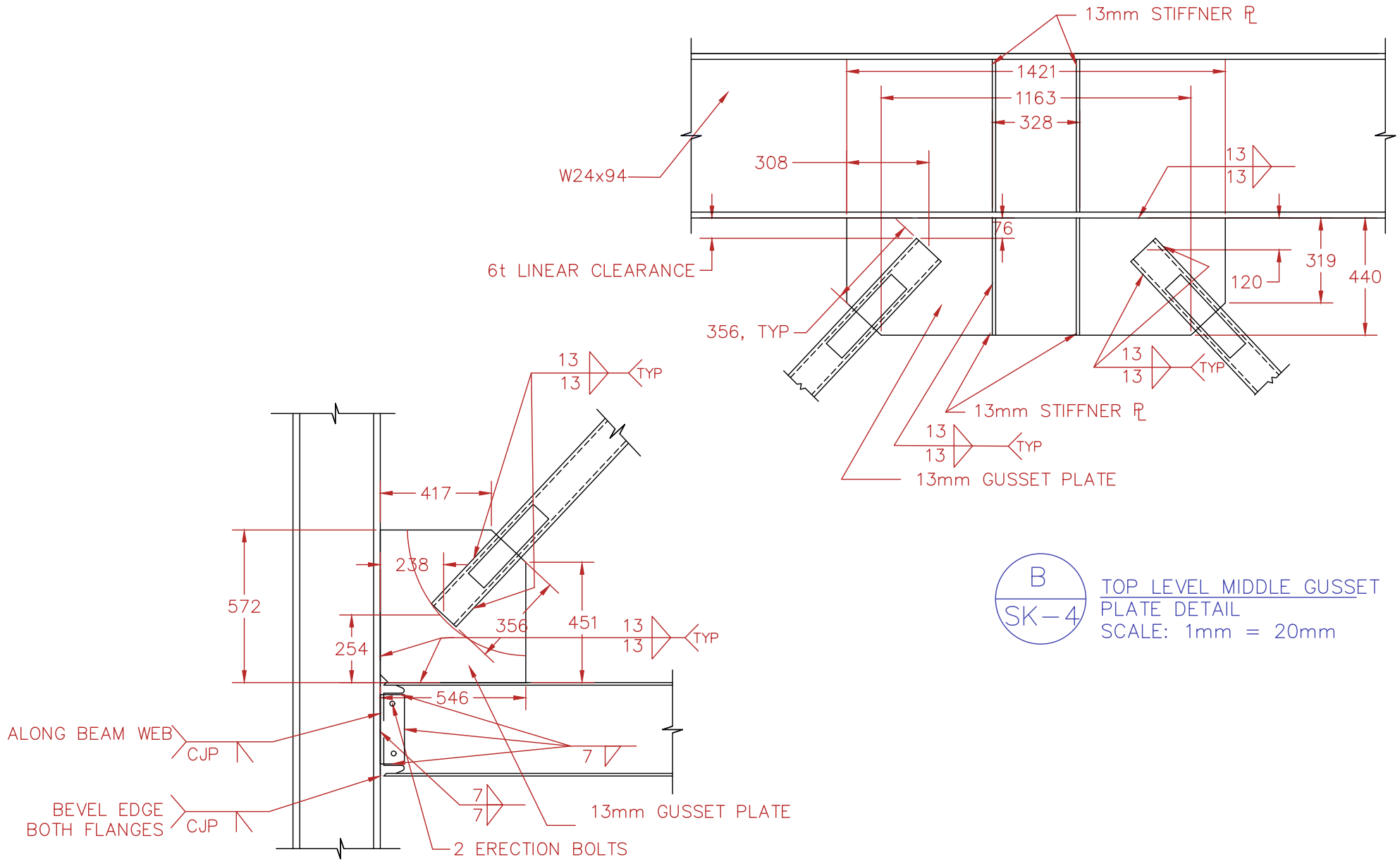
LOWER LEVEL CORNER
GUSSET PLATE DETAIL
SCALE: 1mm = 20mm



C
SK-2

TYPICAL NET SECTION REINF. DETAIL AT ALL
BRACE-TO-GUSSET CONNECTIONS
SCALE: 1mm = 20mm

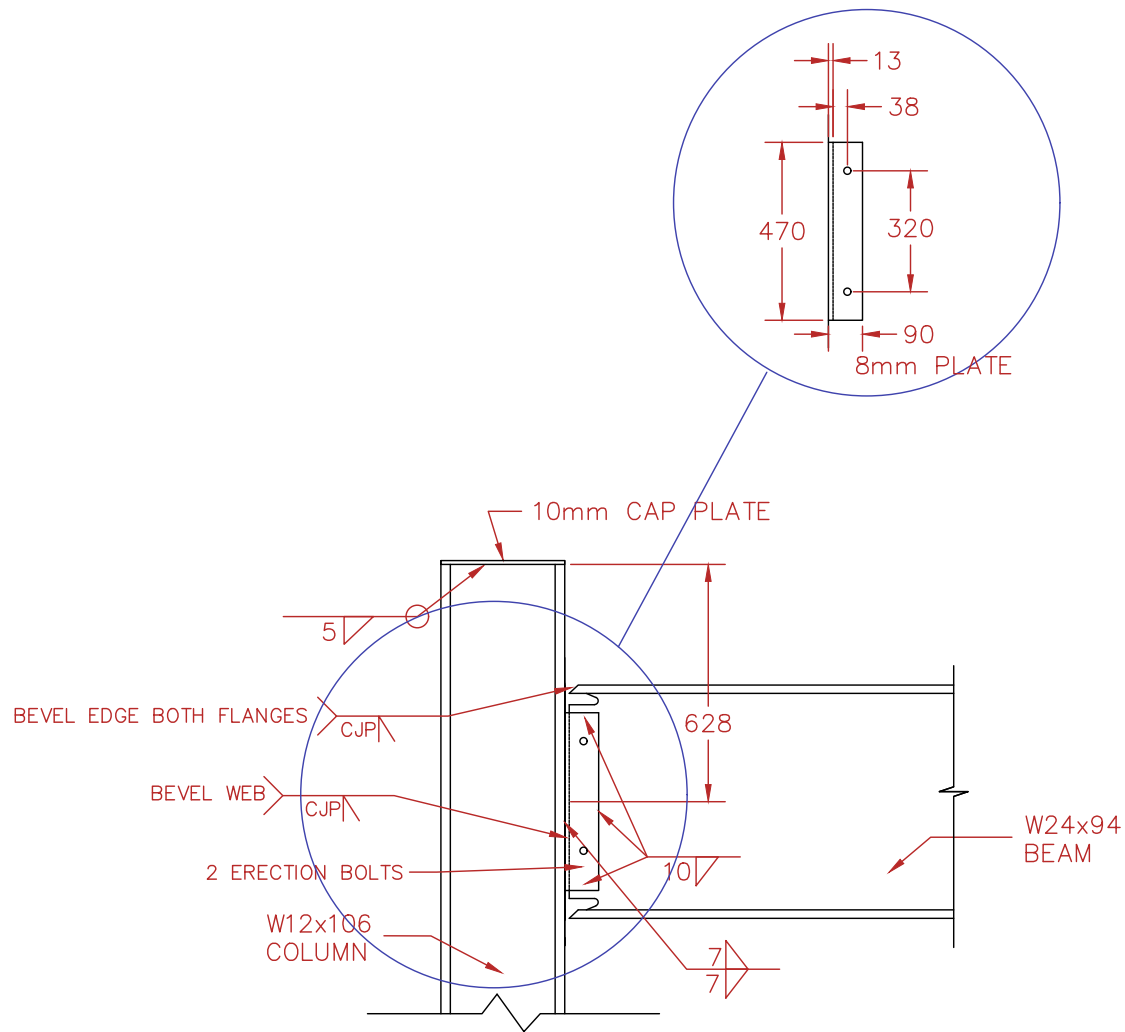
LOWER LEVEL- CENTER AND CORNER GUSSETS	
MULTI STORY SCBF WITH YIELDING BEAMS	DWG:
DRAWN BY: SMI DESIGNED BY: SMI DATE: 1/17/2018 CONTACT: SMIBARRA@UW.EDU	SK-2



B
 SK-4 TOP LEVEL MIDDLE GUSSET
 PLATE DETAIL
 SCALE: 1mm = 20mm

A
 SK-4 TOP LEVEL CORNER GUSSET PLATE
 DETAIL
 SCALE: 1mm = 20mm

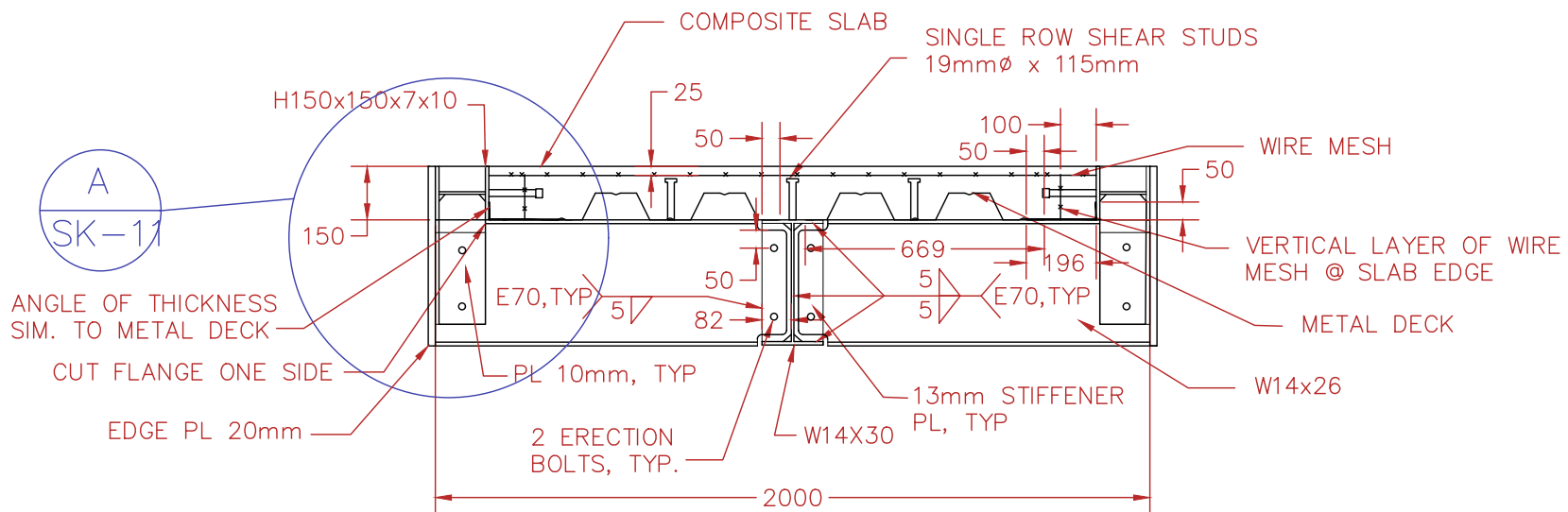
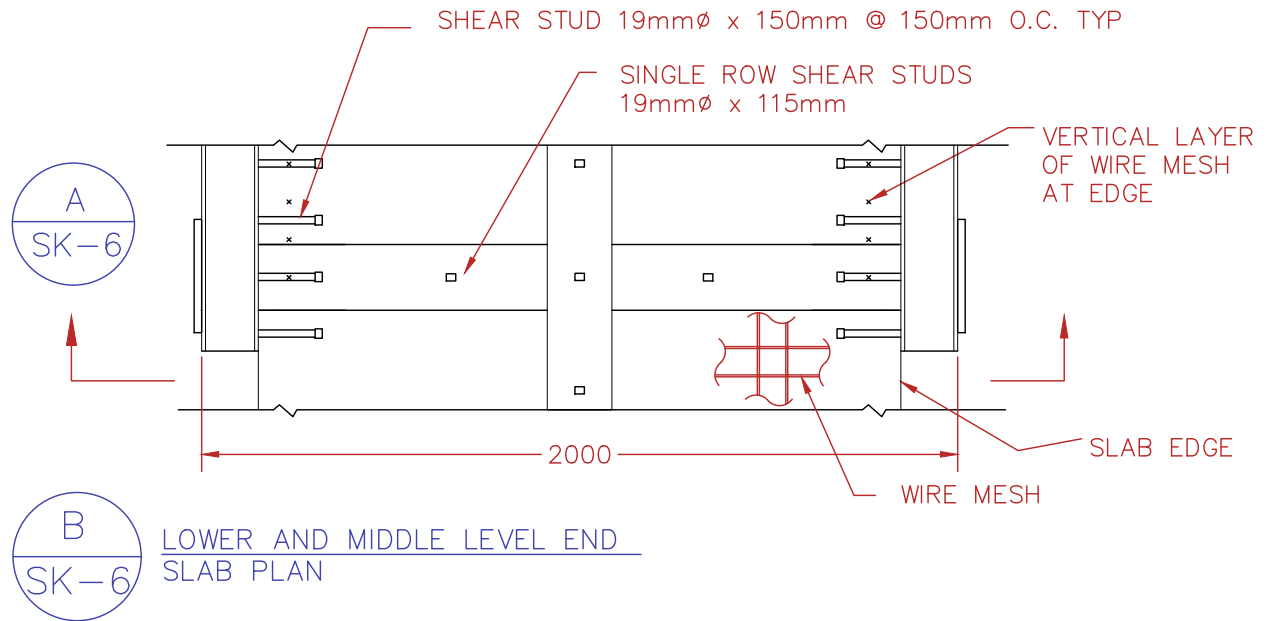
TOP LEVEL-CENTER AND CORNER GUSSETS	
MULTI STORY SCBF WITH YIELDING BEAMS	DWG:
DRAWN BY: SMI DESIGNED BY: SMI DATE: 1/17/2018 CONTACT: SMIBARRA@UW.EDU	SK-4



A
SK-5

TOP STORY CJP DETAIL
SCALE: 1mm = 20mm

TOP STORY COLUMN-TO-BEAM CONNECTION	
MULTI STORY SCBF WITH YIELDING BEAMS	DWG:
DRAWN BY: SMI DESIGNED BY: SMI DATE: 1/17/2018 CONTACT: SMIBARRA@UW.EDU	SK-5

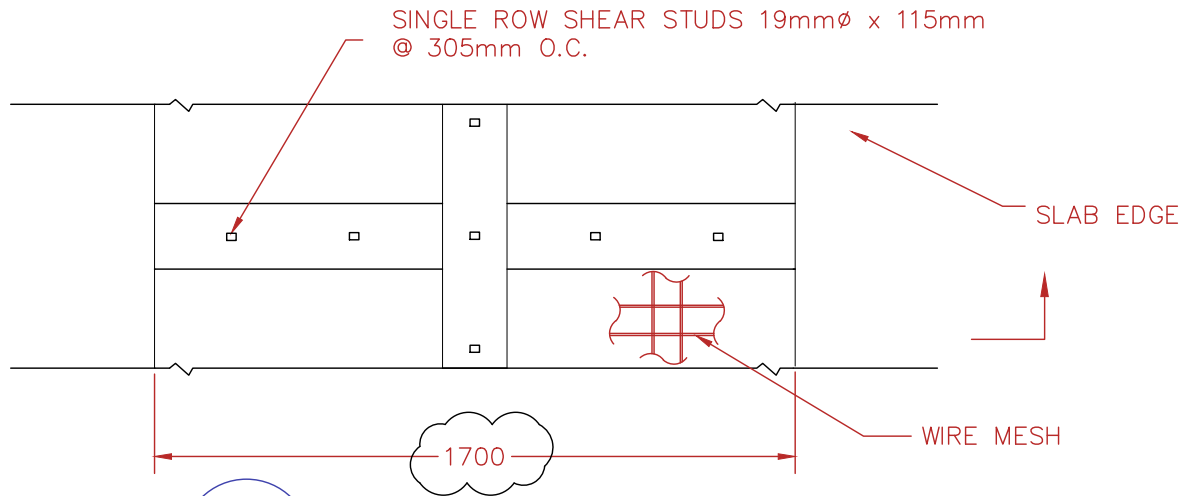


A
SK-6

LOWER AND MIDDLE LEVEL
END SLAB SECTION

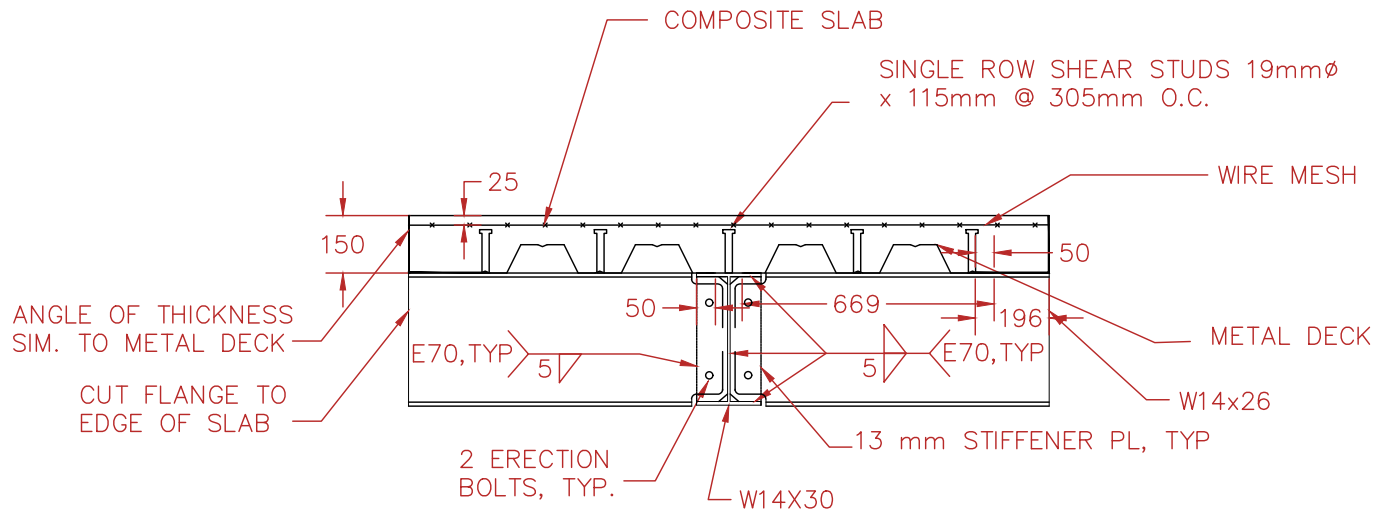
LOWER AND MIDDLE FLOOR - END SLAB SECTION	
MULTI STORY SCBF WITH YIELDING BEAMS	DWG:
DRAWN BY: SMI DESIGNED BY: SMI DATE: 1/17/2018 CONTACT: SMIBARRA@UW.EDU	SK-6

A
SK-7



B
SK-7

LOWER AND MIDDLE FLOOR
CENTER SLAB PLAN



A
SK-7

LOWER AND MIDDLE FLOOR
CENTER SLAB SECTION

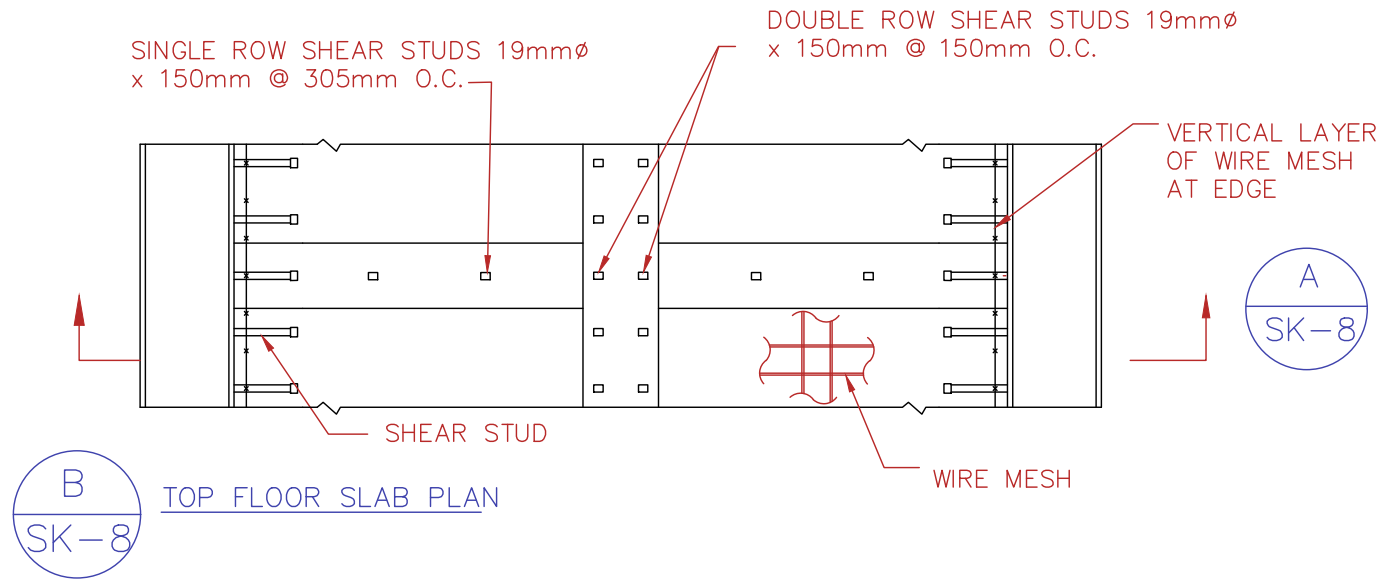
LOWER AND MIDDLE FLOOR - CENTER SLAB SECTION

MULTI STORY SCBF WITH YIELDING BEAMS

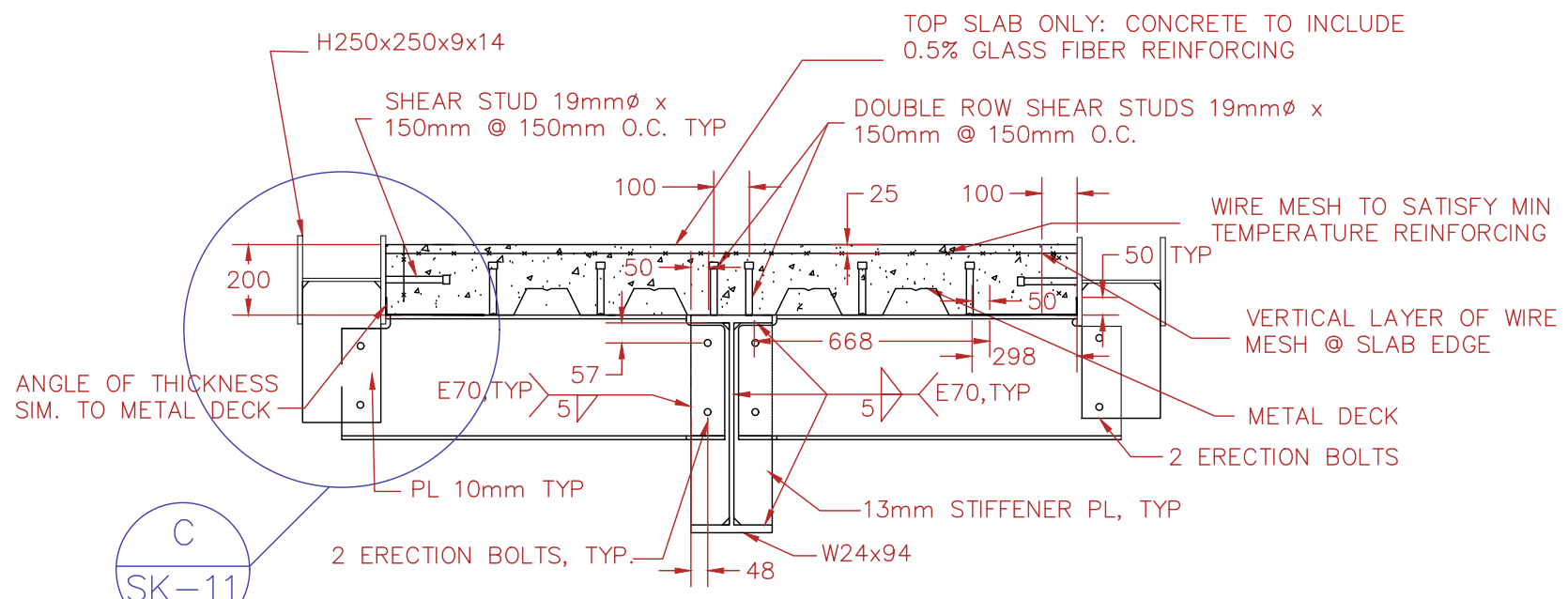
DWG:

DRAWN BY: SMI
DESIGNED BY: SMI
DATE: 1/17/2018
CONTACT: SMIBARRA@UW.EDU

SK-7

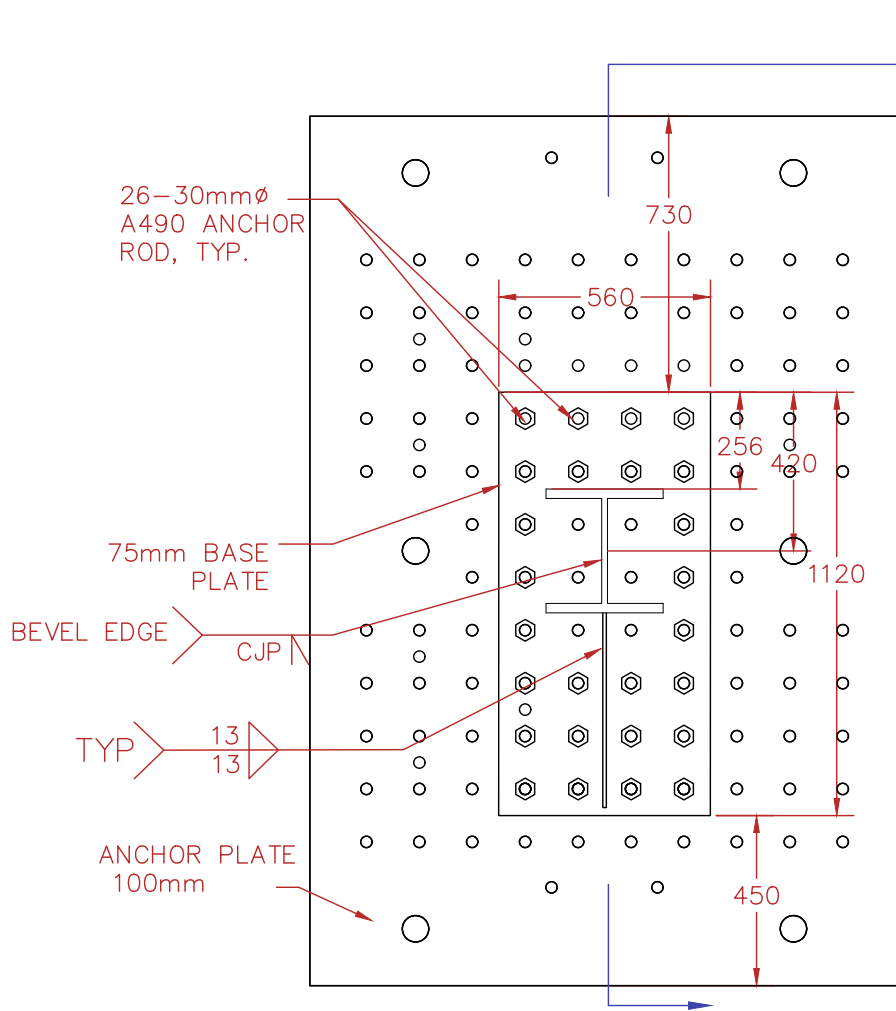


B
SK-8
TOP FLOOR SLAB PLAN

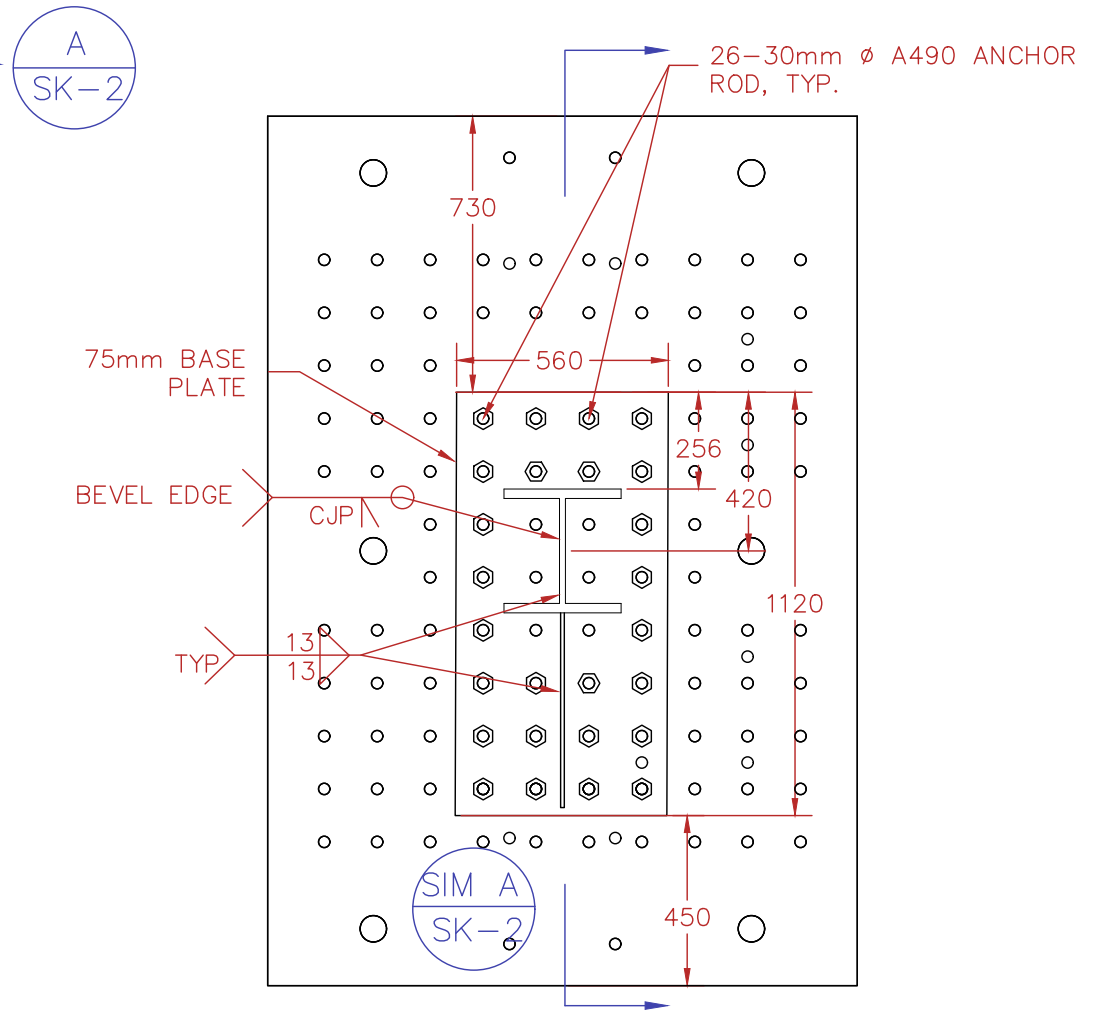


A
SK-8
TOP FLOOR SLAB SECTION

TOP FLOOR SLAB SECTIONS	
MULTI STORY SCBF WITH YIELDING BEAMS	DWG:
DRAWN BY: SMI DESIGNED BY: SMI DATE: 1/17/2018 CONTACT: SMIBARRA@UW.EDU	SK-8

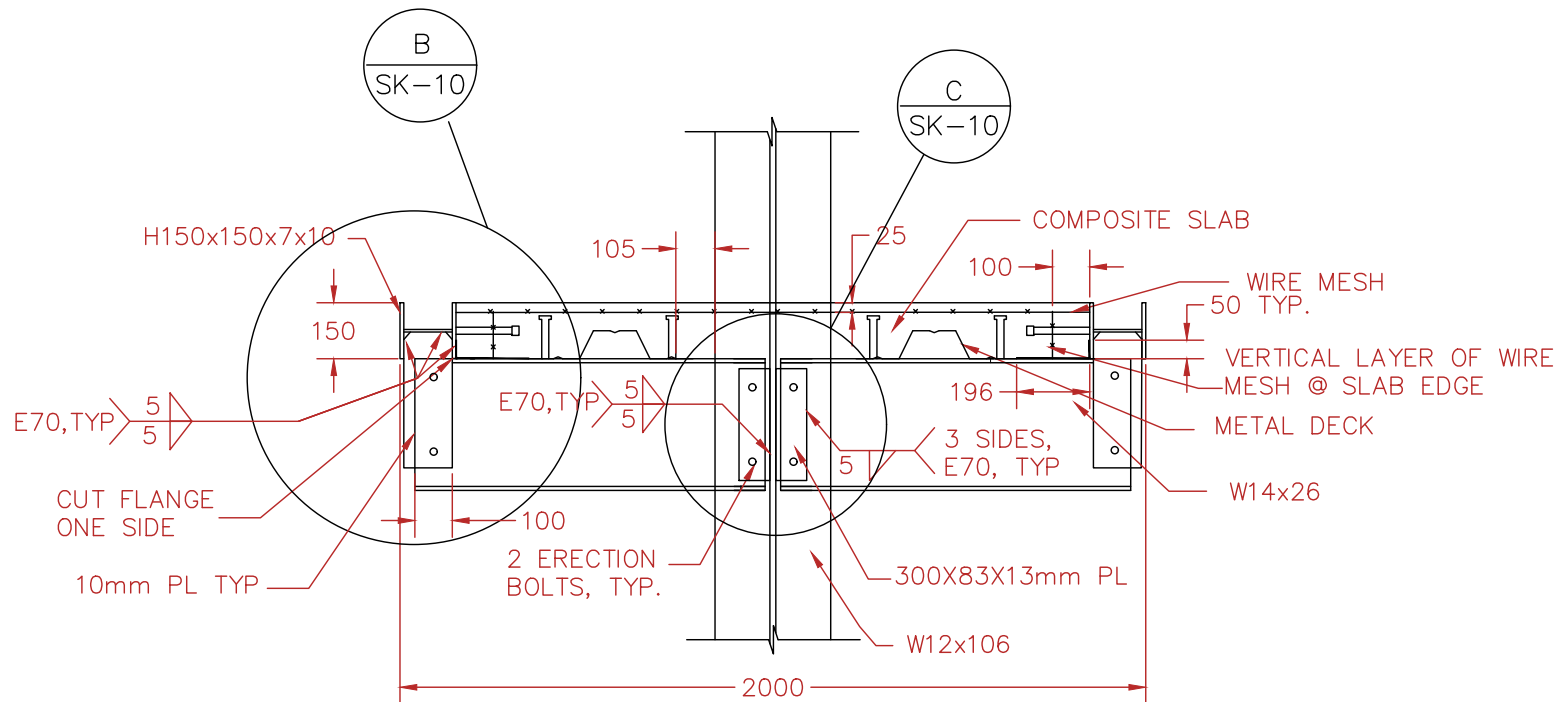


A
SK-9
NORTH BASE PLATE PLAN VIEW
SCALE: 1mm = 20mm



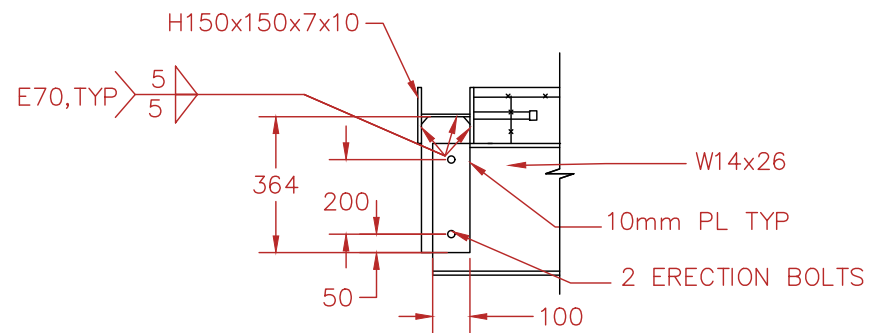
B
SK-9
SOUTH BASE PLATE PLAN VIEW
SCALE: 1mm = 20mm

BASE PLATE CONNECTIONS	
MULTI STORY SCBF WITH YIELDING BEAMS	DWG:
DRAWN BY: SMI DESIGNED BY: SMI DATE: 1/17/2018 CONTACT: SMIBARRA@UW.EDU	SK-9

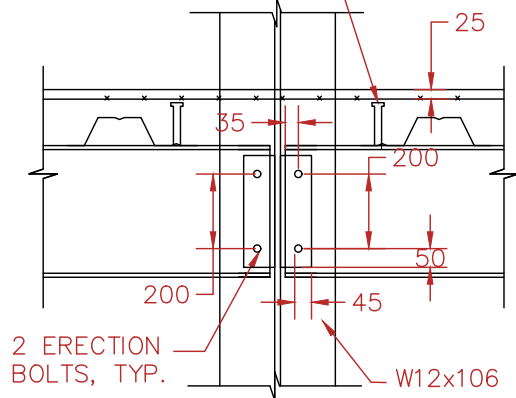


A
SK-10
LOWER AND MIDDLE FLOOR
END SLAB SECTION

SINGLE ROW SHEAR STUDS
19mm ϕ x 115mm @ 305mm O.C.



B
SK-10
LOWER AND MIDDLE FLOOR
END SLAB SECTION



C
SK-10
LOWER AND MIDDLE FLOOR
END SLAB SECTION

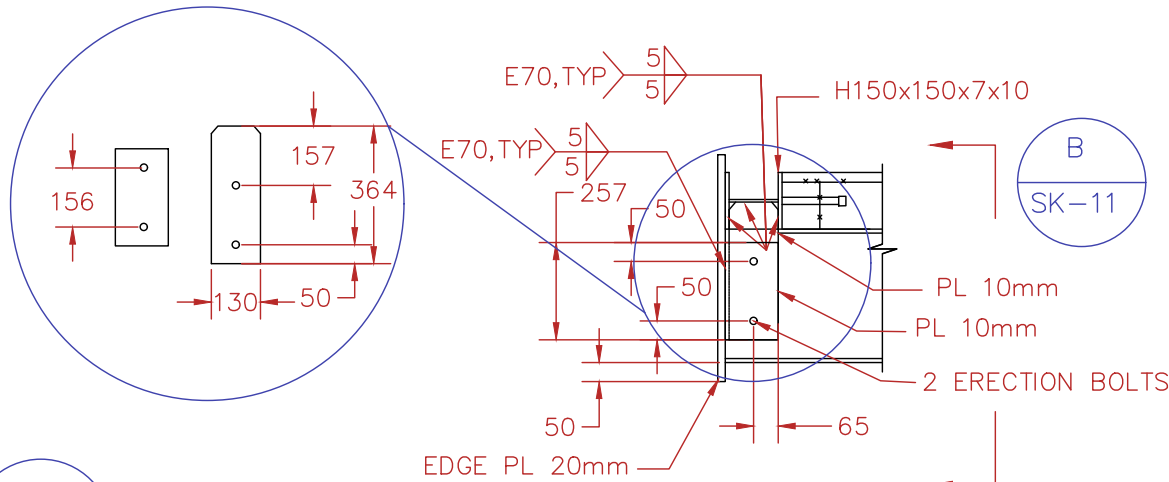
COLUMN LATERAL SUPPORT CONNECTION DETAIL

MULTI STORY SCBF WITH YIELDING BEAMS

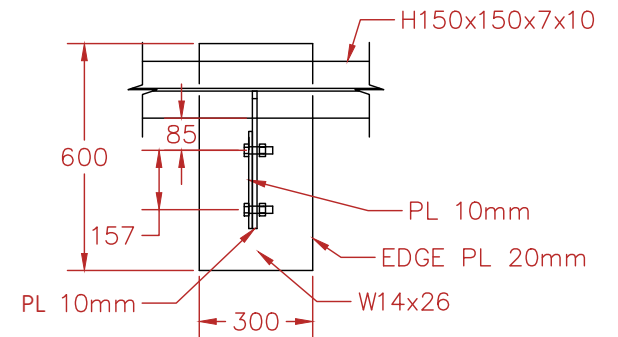
DWG:

DRAWN BY: SMI
DESIGNED BY: SMI
DATE: 1/17/2018
CONTACT: SMIBARRA@UW.EDU

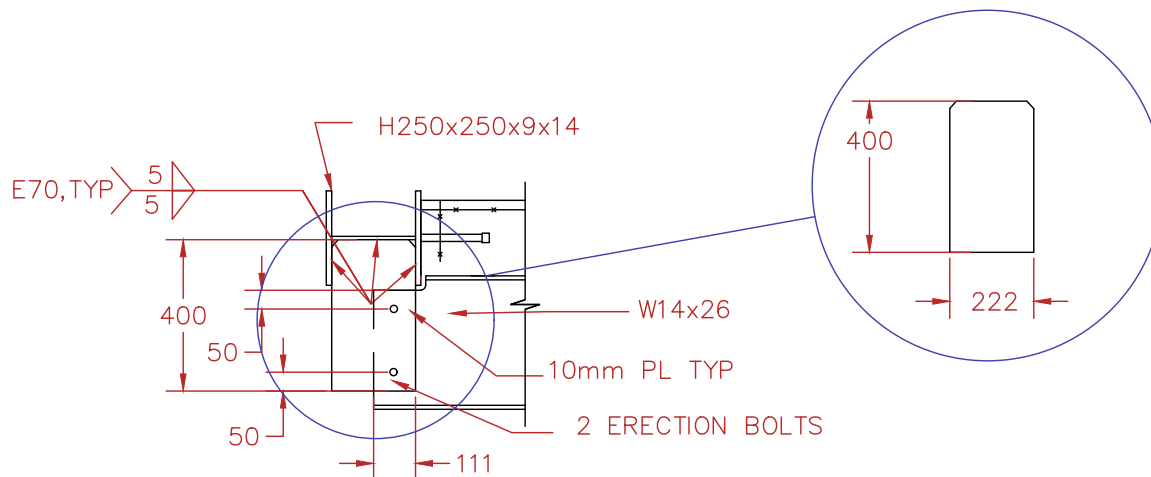
SK-10



A
SK-11
MIDDLE LEVEL TRANSFER
BEAM END DETAIL

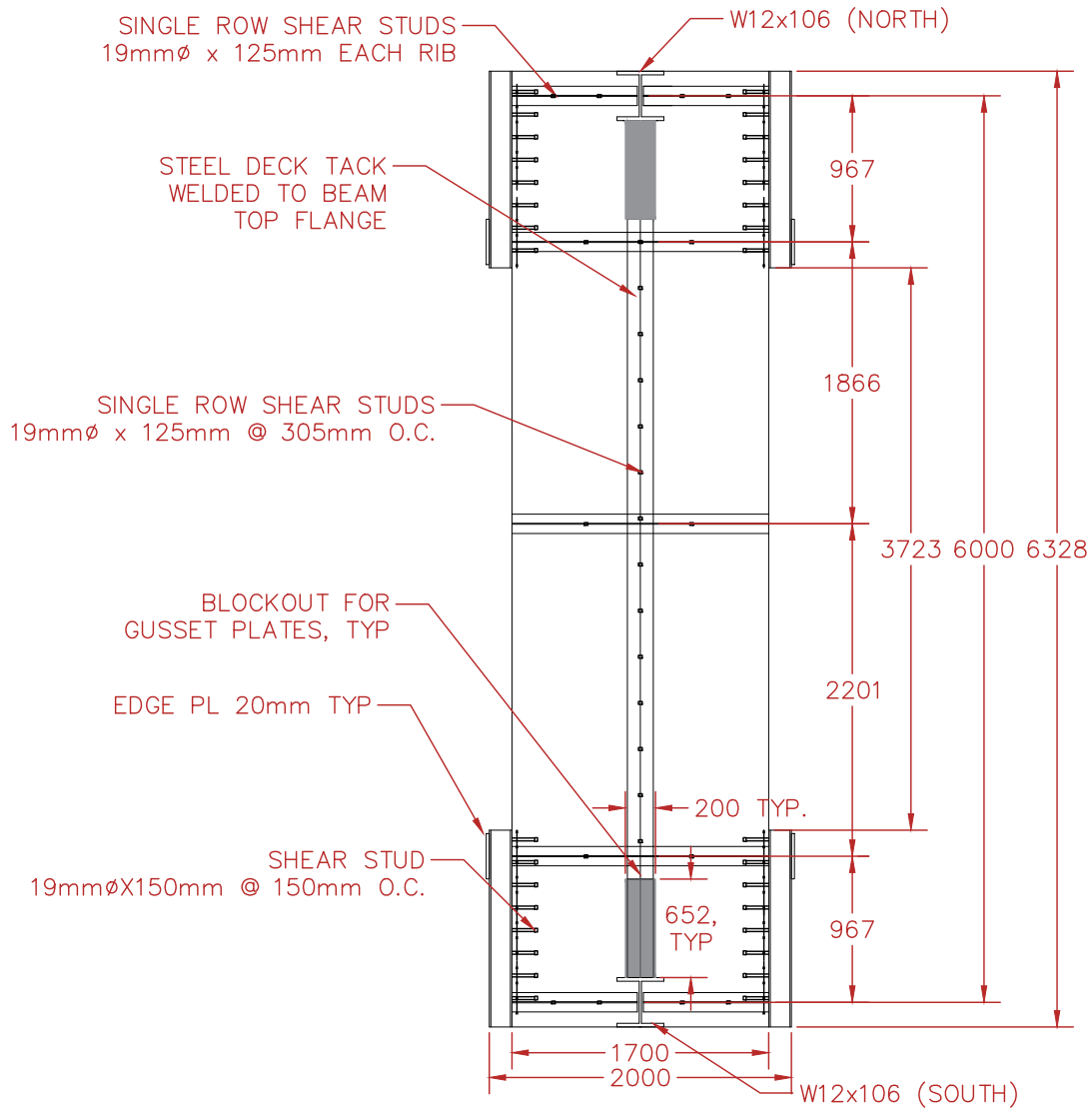


B
SK-11
TRANSFER BEAM END
CONNECTION DETAIL



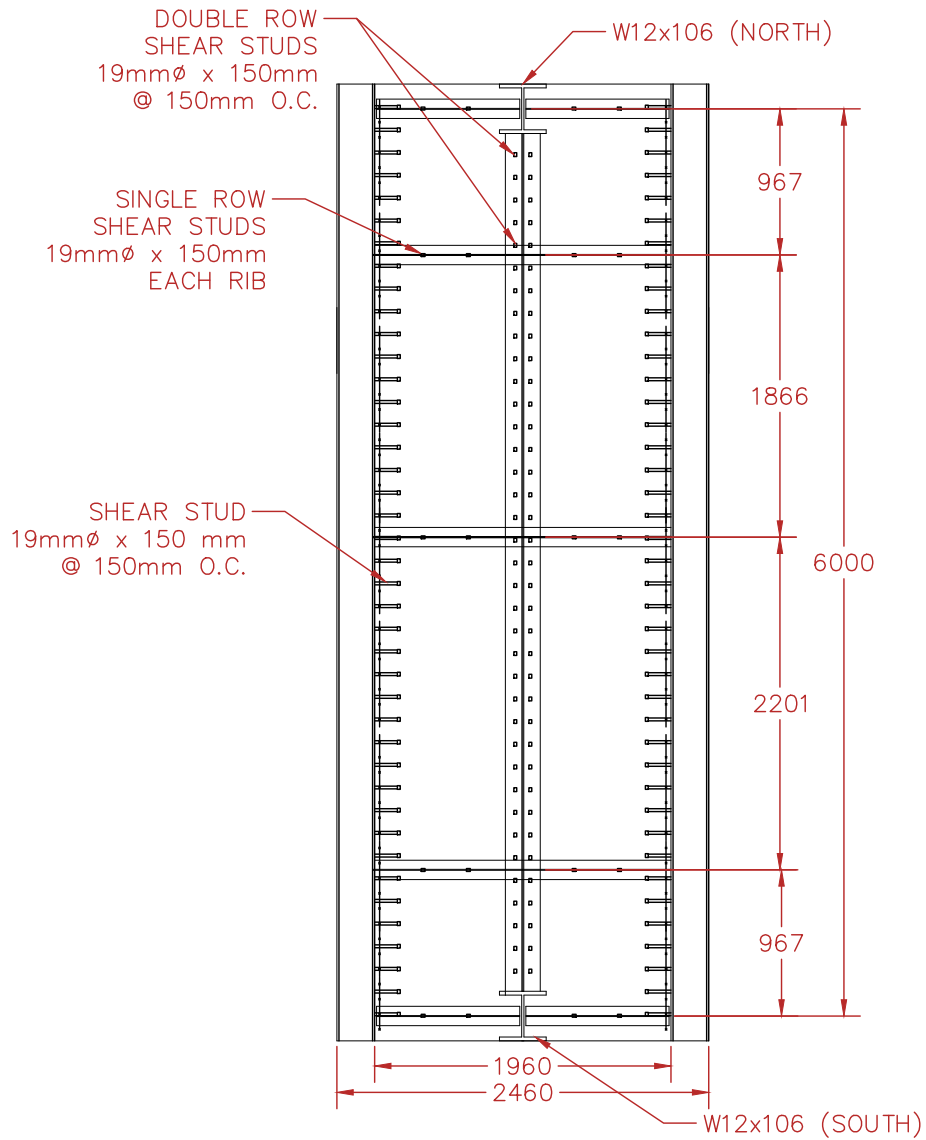
C
SK-11
TOP LEVEL TRANSFER BEAM
END DETAIL

TRANSFER BEAM-END DETAILS	
MULTI STORY SCBF WITH YIELDING BEAMS	DWG:
DRAWN BY: SMI DESIGNED BY: SMI DATE: 1/17/2018 CONTACT: SMIBARRA@UW.EDU	SK-11



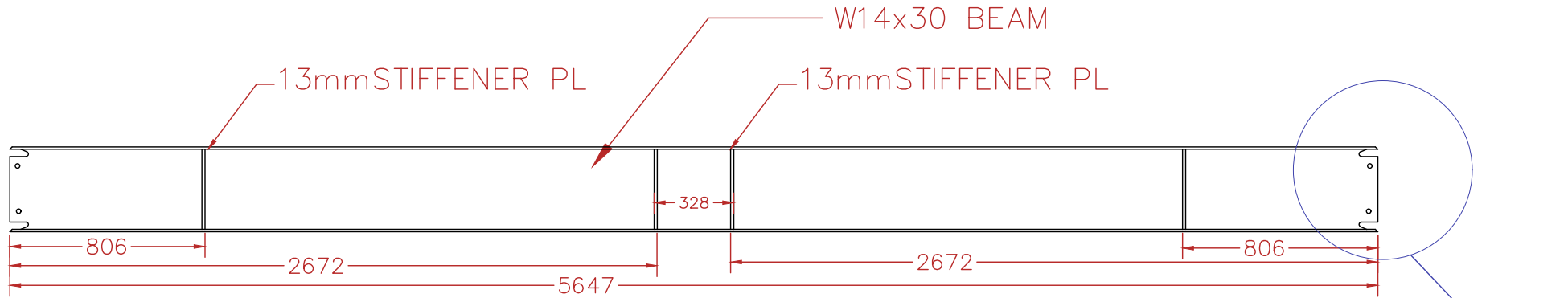
A TYPICAL INTERMEDIATE LEVEL PLAN VIEW
 SK-12 SCALE: 1mm = 50mm

INTERMEDIATE LEVEL PLAN VIEW	
MULTI STORY SCBF WITH YIELDING BEAMS	DWG:
DRAWN BY: SMI DESIGNED BY: SMI DATE: 1/2/2018 CONTACT: SMIBARRA@UW.EDU	SK-12

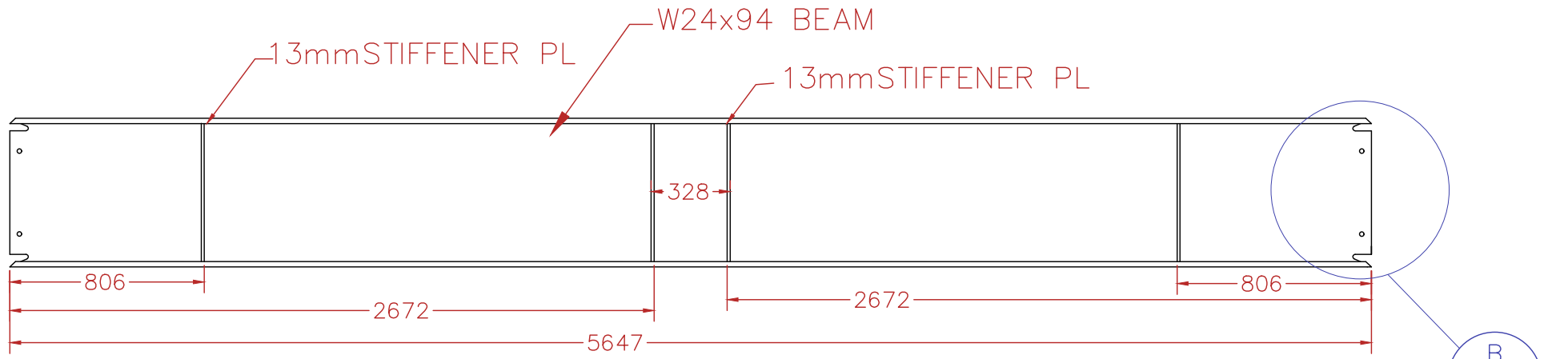


A
SK-13 TOP LEVEL PLAN VIEW
SCALE: 1mm = 50mm

TOP LEVEL PLAN VIEW	
MULTI STORY SCBF WITH YIELDING BEAMS	DWG:
DRAWN BY: SMI DESIGNED BY: SMI DATE: 1/2/2018 CONTACT: SMIBARRA@UW.EDU	SK-13

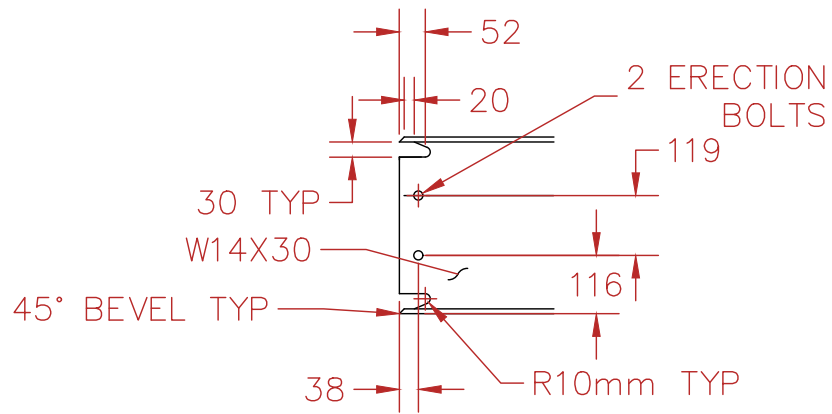


A
 SK-14 MIDDLE AND BOTTOM LEVEL
 BEAM DIMENSIONS
 SCALE: 1mm = 25mm

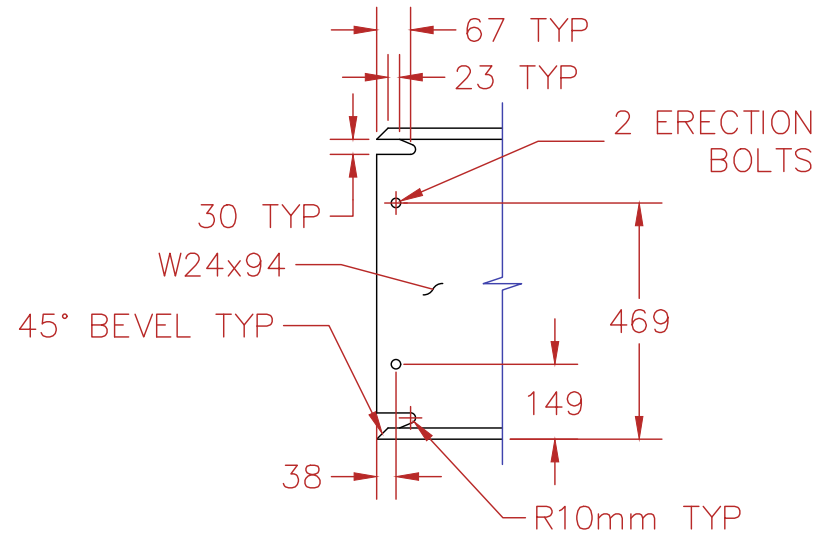


B
 SK-14 TOP LEVEL BEAM DIMENSIONS
 SCALE: 1mm = 25mm

BEAM FABRICATION DETAILS	
MULTI STORY SCBF WITH YIELDING BEAMS	DWG:
DRAWN BY: SMI DESIGNED BY: SMI DATE: 1/16/2018 CONTACT: SMIBARRA@UW.EDU	SK-14

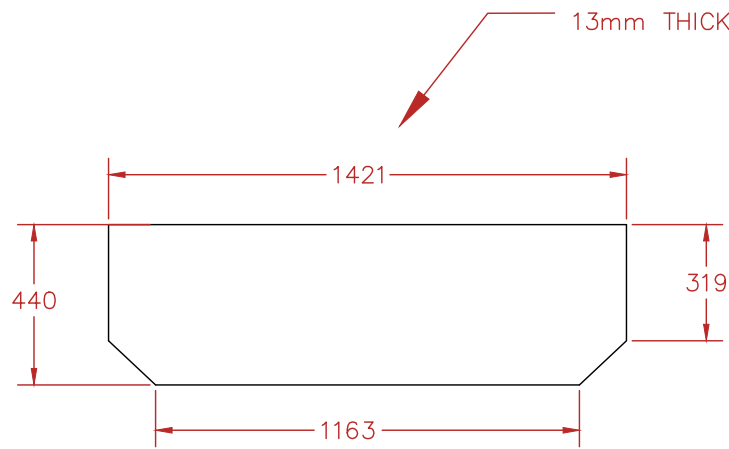


A
SK-15
 MIDDLE AND BOTTOM BEAM
 END DETAIL
 SCALE: 1mm = 15mm

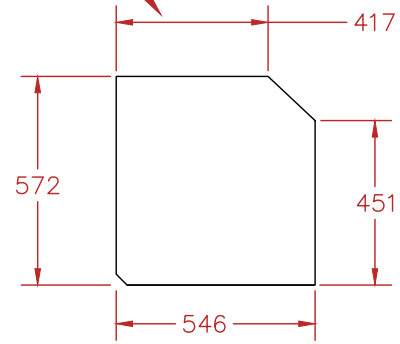


B
SK-15
 TOP LEVEL BEAM END
 DETAIL
 SCALE: 1mm = 15mm

BEAM-END FABRICATION DETAILS	
MULTI STORY SCBF WITH YIELDING BEAMS	DWG:
DRAWN BY: SMI DESIGNED BY: SMI DATE: 1/16/2018 CONTACT: SMIBARRA@UW.EDU	SK-15

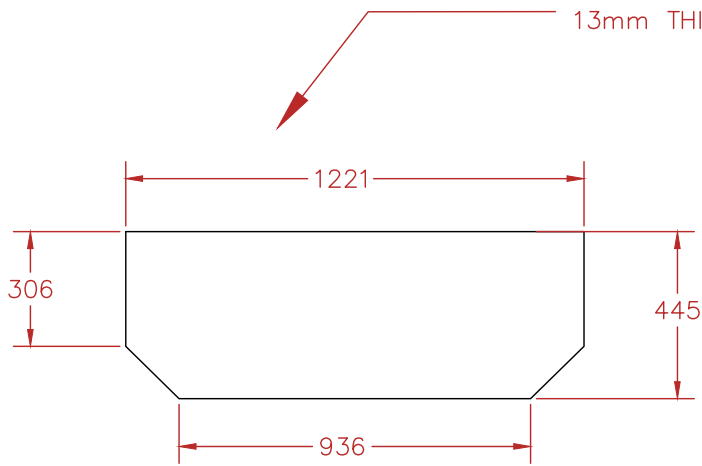


A
 SK-16 TOP LEVEL MIDDLE GUSSET
 PLATE DIMENSIONS
 SCALE: 1mm = 20mm

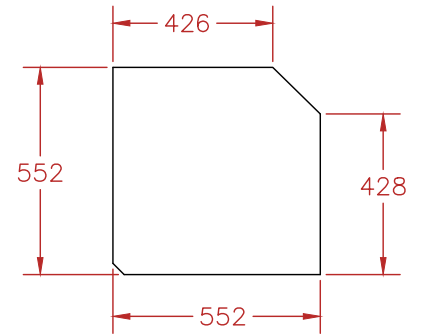


B
 SK-16 TOP LEVEL CORNER GUSSET
 PLATE DIMENSIONS (X2)
 SCALE: 1mm = 20mm

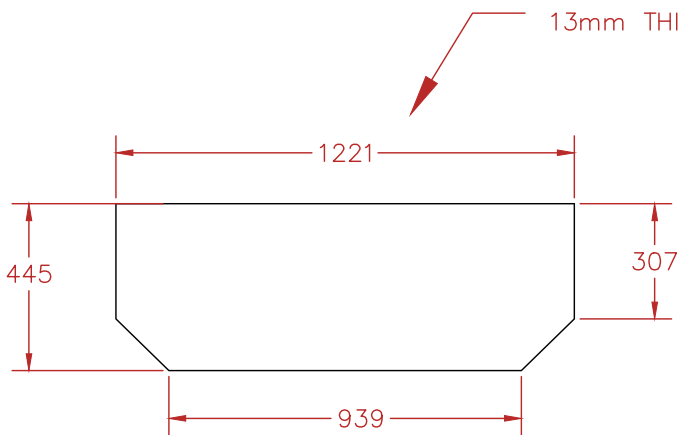
TOP LEVEL GUSSET PLATE FABRICATION DETAILS	
MULTI STORY SCBF WITH YIELDING BEAMS	DWG:
DRAWN BY: SMI DESIGNED BY: SMI DATE: 1/17/2018 CONTACT: SMIBARRA@UW.EDU	SK-18



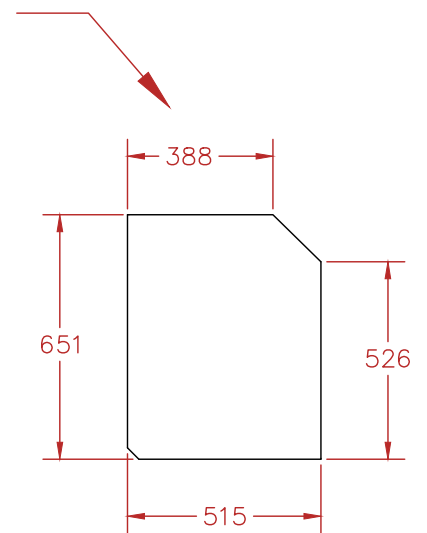
A
 SK-17 MIDDLE LEVEL MIDDLE
 GUSSET PLATE DIMENSIONS
 SCALE: 1mm = 20mm



B
 SK-17 MIDDLE LEVEL CORNER GUSSET
 PLATE DIMENSIONS (X2)
 SCALE: 1mm = 20mm

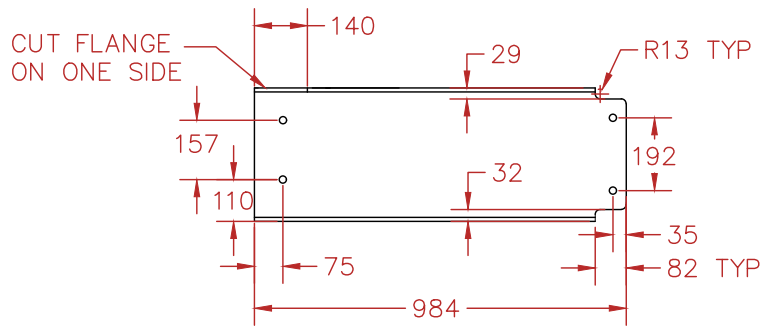


C
 SK-17 BOTTOM LEVEL MIDDLE
 GUSSET PLATE DIMENSIONS
 SCALE: 1mm = 20mm

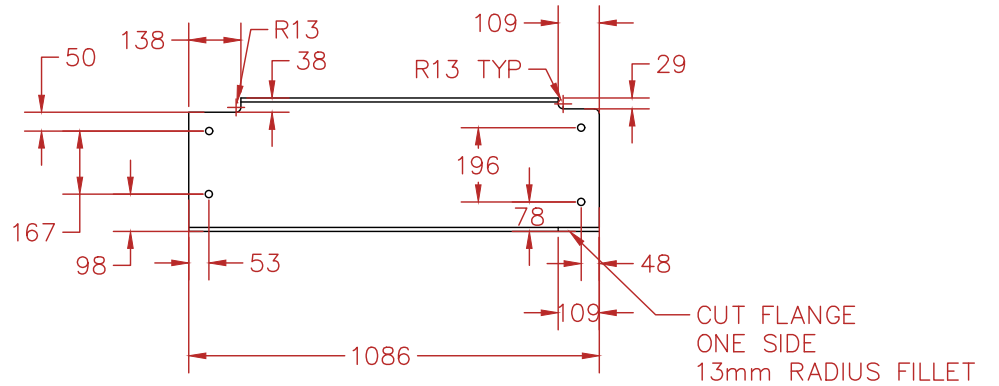


D
 SK-17 BOTTOM LEVEL CORNER GUSSET
 PLATE DIMENSIONS (X2)
 SCALE: 1mm = 20mm

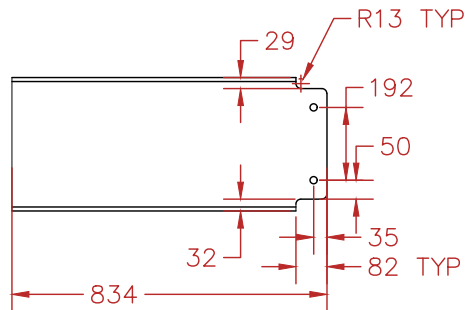
INTERMEDIATE LEVELS GUSSET PLATE FABRICATION DETAILS	
MULTI STORY SCBF WITH YIELDING BEAMS	DWG:
DRAWN BY: SMI DESIGNED BY: SMI DATE: 1/17/2018 CONTACT: SMIBARRA@UW.EDU	SK-17



A
SK-18
LOWER AND MIDDLE LEVEL
(END) TRANSFER BEAM
FABRICATION DETAIL



B
SK-18
TOP LEVEL TRANSFER BEAM
FABRICATION DETAIL



C
SK-18
LOWER AND MIDDLE LEVEL
(CENTER) TRANSFER BEAM
FABRICATION DETAIL

TRANSVERSE BEAMS FABRICATION DETAILS	
MULTI STORY SCBF WITH YIELDING BEAMS	DWG:
DRAWN BY: SMI DESIGNED BY: SMI DATE: 1/17/2018 CONTACT: SMIBARRA@UW.EDU	SK-18