

NOTES:

- CALLOUTS DESIGNATED "EX." USE AWS E71T-7 OR EQUIVALENT (NO CVN IMPACT REQUIREMENT) FOR FILLET WELDS ONLY
- CALLOUTS DESIGNATED "CUR." TO SATISFY AISC DEMAND CRITICAL AWS E71T-8 OR EQUIVALENT FOR FILLET WELDS ONLY
- ALL OTHER WELDS (STIFFENER PLATE FILLET WELDS, CJP WELDS, ETC.) TO SATISFY AISC DEMAND CRITICAL AWS E71T-8 OR EQUIVALENT
- CONCRETE SLABS TO HAVE SPECIFIED COMPRESSIVE STRENGTH OF 6.0 KSI

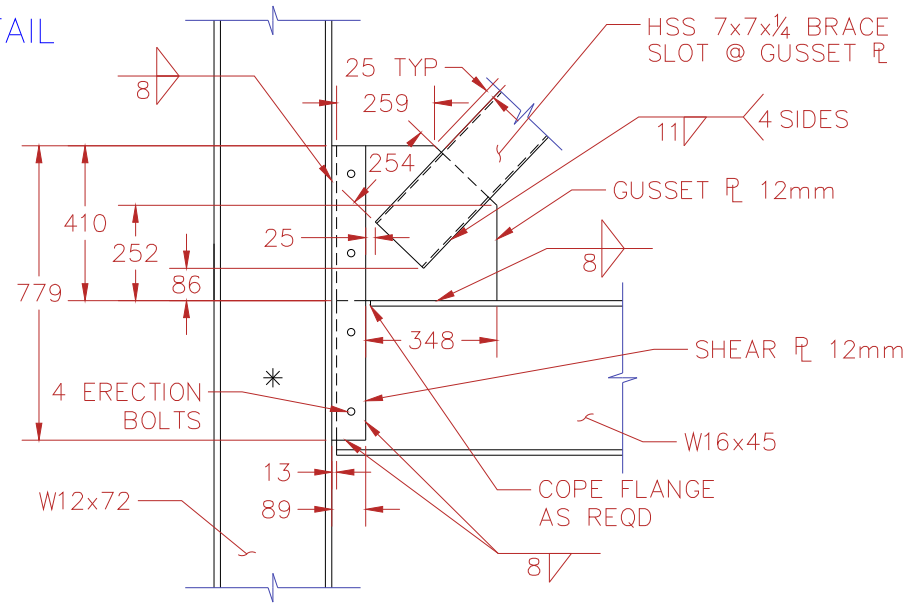
SCALE: 1mm = 50mm

NCBF1 - NON-SEISMIC CONCENTRICALLY BRACED FRAME 1	
NEESR NCREE BRACED FRAME TEST	
DRAWN BY: ADS DESIGNED BY: ADS DATE: 6/27/2013 CONTACT: ADSEN@UW.EDU	
DWG:	SK-1

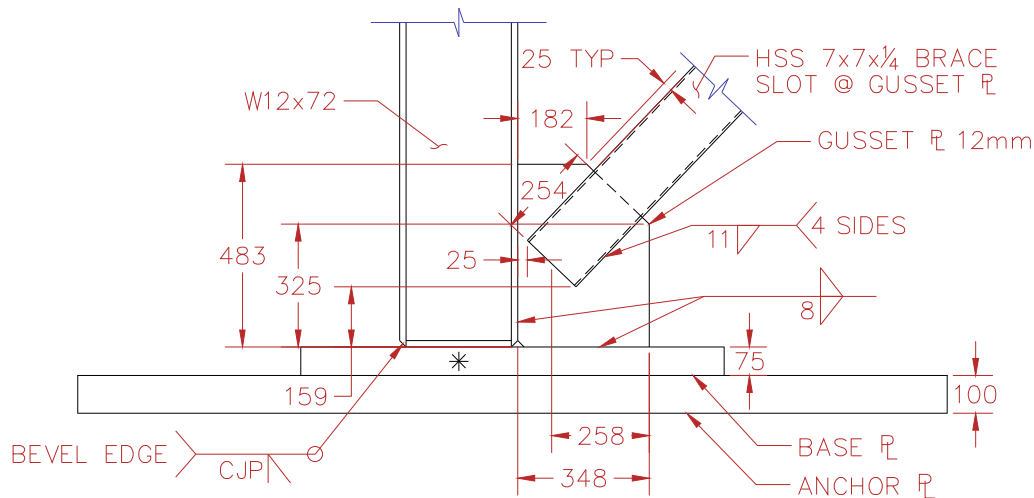
A
SK-2

BEAM/COLUMN GUSSET PLATE DETAIL

SCALE: 1mm = 20mm



- NOTES:
- ALL PLATE STEEL A572 GR 50 OR EQUIVALENT
 - ALL ROLLED SHAPES TO BE A992 OR EQUIVALENT
 - ALL BRACES TO BE A500 GR B OR EQUIVALENT
 - ALL WELDS AS DESIGNATED IN SK-1
 - ALL STRUCTURAL BOLTS TO BE F10T



B
SK-2

BASE GUSSET PLATE DETAIL

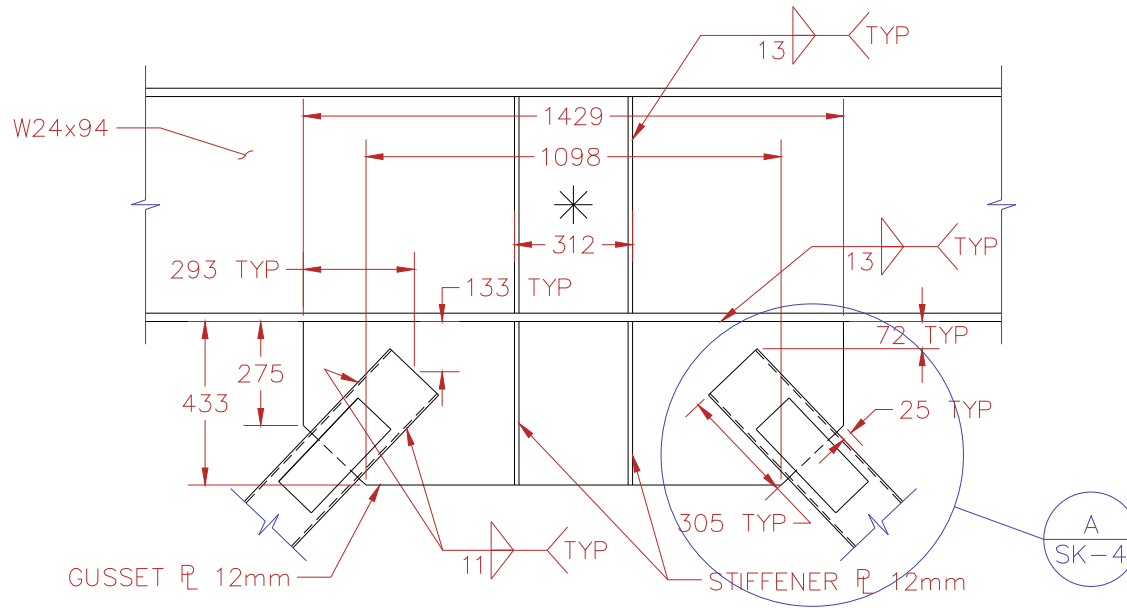
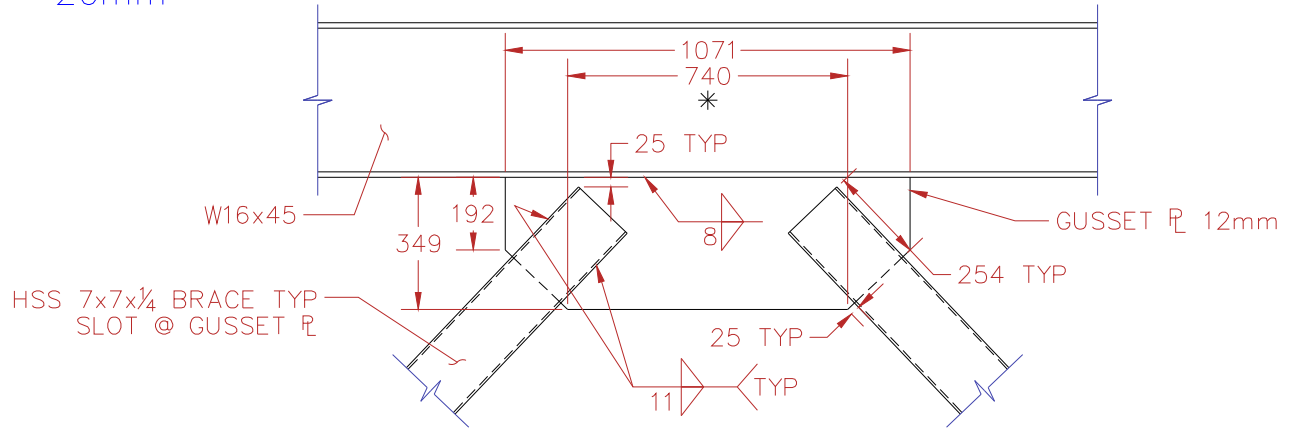
SCALE: 1mm = 20mm

NCBF1 - NON-SEISMIC CONCENTRICALLY BRACED FRAME 1	
NEESR NCREE BRACED FRAME TEST	DWG:
DRAWN BY: ADS DESIGNED BY: ADS DATE: 6/27/2013 CONTACT: ADSEN@UW.EDU	SK-2

A
SK-3

BOTTOM BEAM GUSSET PLATE DETAIL

SCALE: 1mm = 20mm



NOTES:
 -ALL PLATE STEEL A572 GR 50 OR EQUIVALENT
 -ALL ROLLED SHAPES TO BE A992 OR EQUIVALENT
 -ALL BRACES TO BE A500 GR B OR EQUIVALENT
 -ALL WELDS AS DESIGNATED IN SK-1
 -ALL STRUCTURAL BOLTS TO BE F10T

B
SK-3

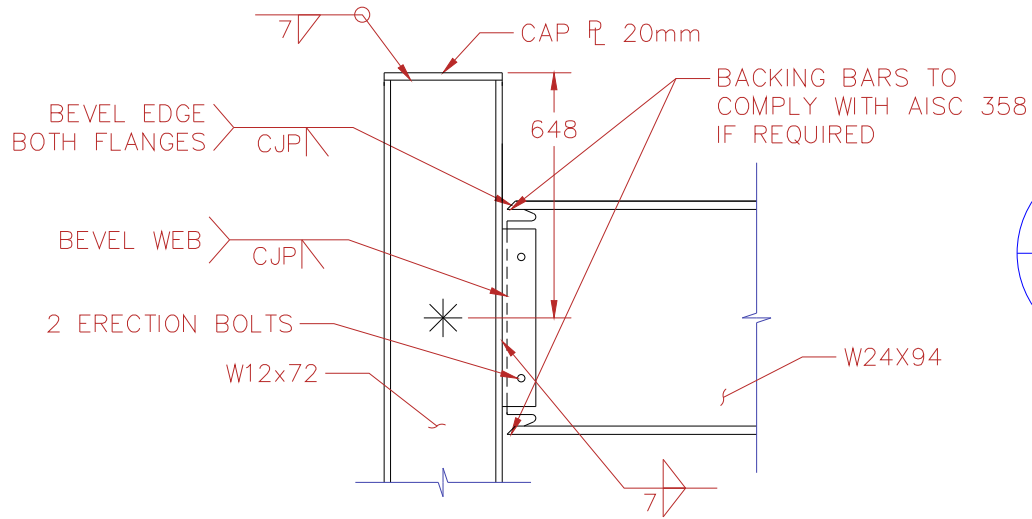
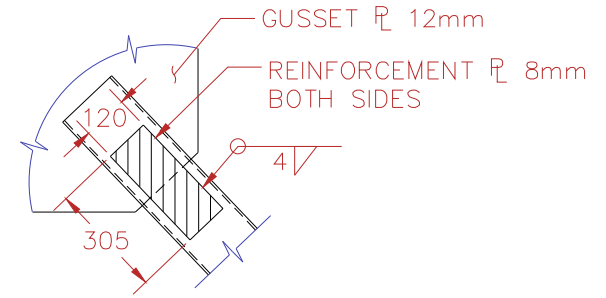
TOP BEAM GUSSET PLATE DETAIL

SCALE: 1mm = 20mm

NCBF1 - NON-SEISMIC CONCENTRICALLY BRACED FRAME 1	
NEESR NCREE BRACED FRAME TEST	
DRAWN BY: ADS DESIGNED BY: ADS DATE: 6/27/2013 CONTACT: ADSEN@UW.EDU	
DWG:	SK-3

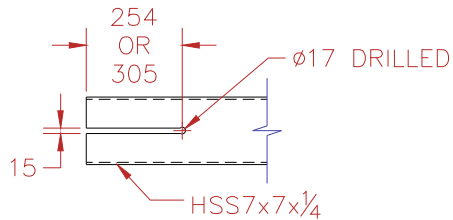
A
SK-4

NET SECTION REINFORCEMENT DETAIL
SCALE: 1mm = 20mm



B
SK-4

TOP STORY CJP DETAIL
SCALE: 1mm = 20mm



C
SK-4

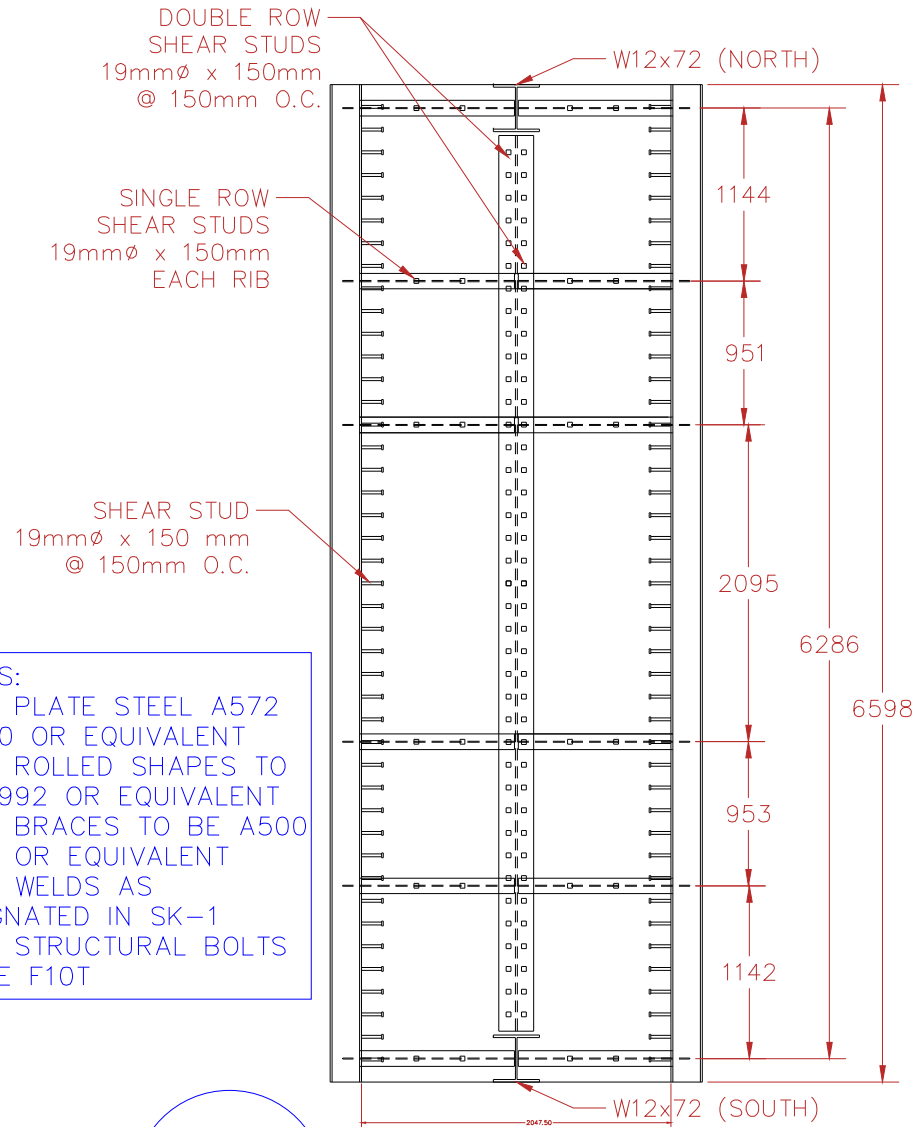
BRACE SLOT DETAIL
SCALE: 1mm = 20mm

NOTES:
 - ALL PLATE STEEL A572 GR 50 OR EQUIVALENT
 - ALL ROLLED SHAPES TO BE A992 OR EQUIVALENT
 - ALL BRACES TO BE A500 GR B OR EQUIVALENT
 - ALL WELDS AS DESIGNATED IN SK-1
 - ALL STRUCTURAL BOLTS TO BE F10T

NCBF1 - NON-SEISMIC CONCENTRICALLY BRACED FRAME 1	
NEESR NCREE BRACED FRAME TEST	DWG:
DRAWN BY: ADS DESIGNED BY: ADS DATE: 6/27/2013 CONTACT: ADSEN@UW.EDU	SK-4

PRODUCED BY AN AUTODESK EDUCATIONAL PRODUCT

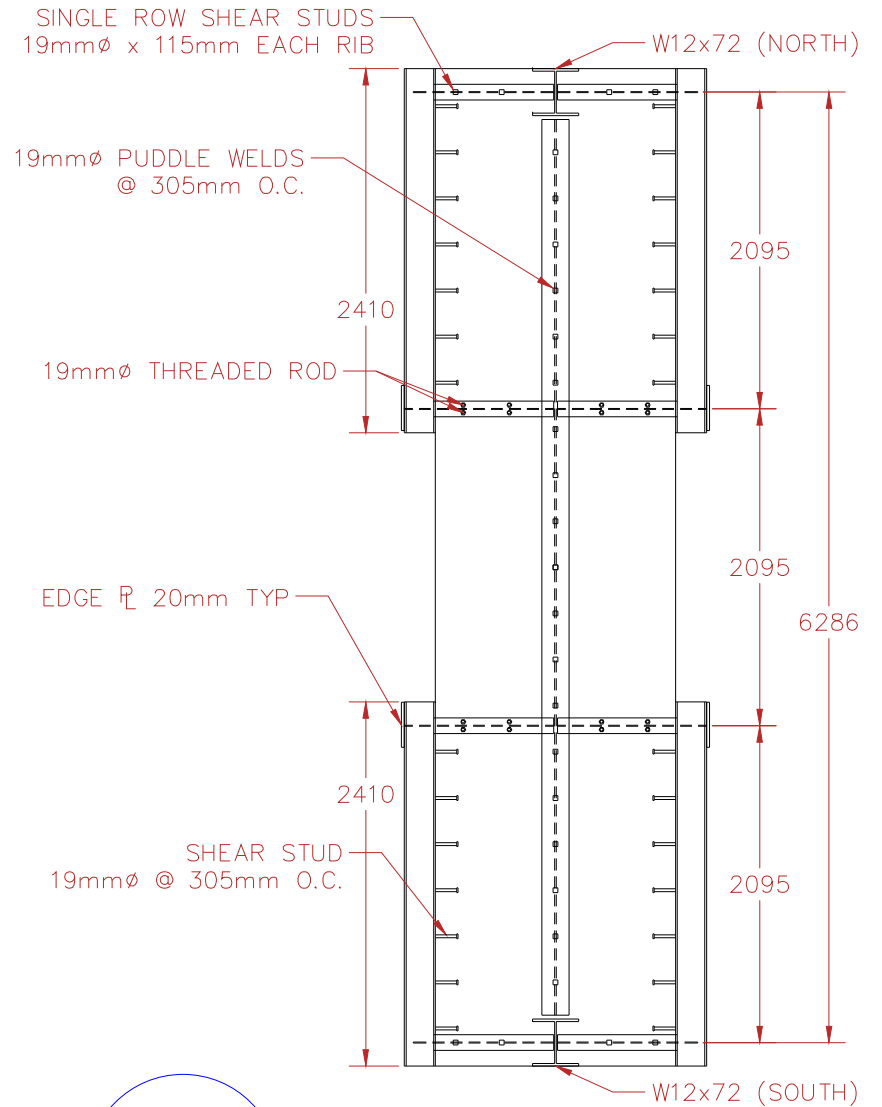
PRODUCED BY AN AUTODESK EDUCATIONAL PRODUCT



- NOTES:
- ALL PLATE STEEL A572 GR 50 OR EQUIVALENT
 - ALL ROLLED SHAPES TO BE A992 OR EQUIVALENT
 - ALL BRACES TO BE A500 GR B OR EQUIVALENT
 - ALL WELDS AS DESIGNATED IN SK-1
 - ALL STRUCTURAL BOLTS TO BE F10T

A
SK-5

TOP BEAM FULL SLAB PLAN
SCALE: 1mm = 50mm



B
SK-5

BOTTOM BEAM FULL SLAB PLAN
SCALE: 1mm = 50mm

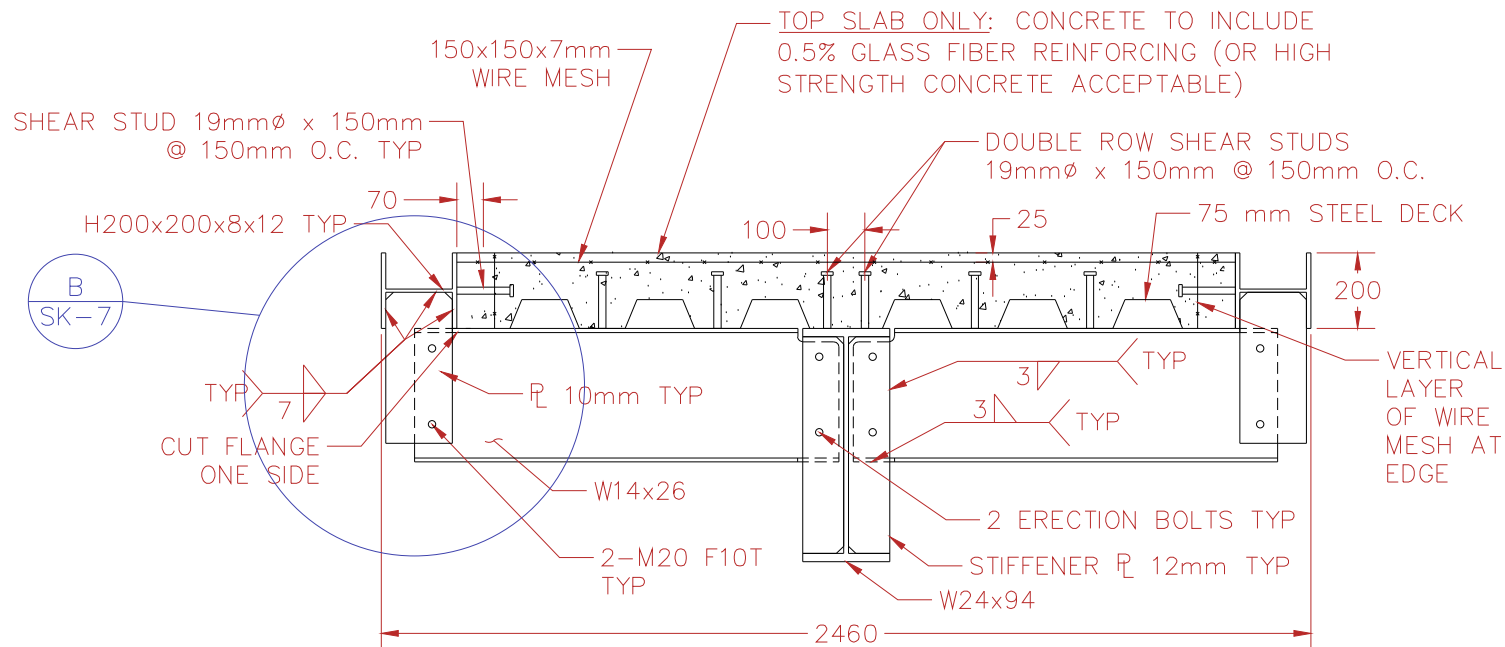
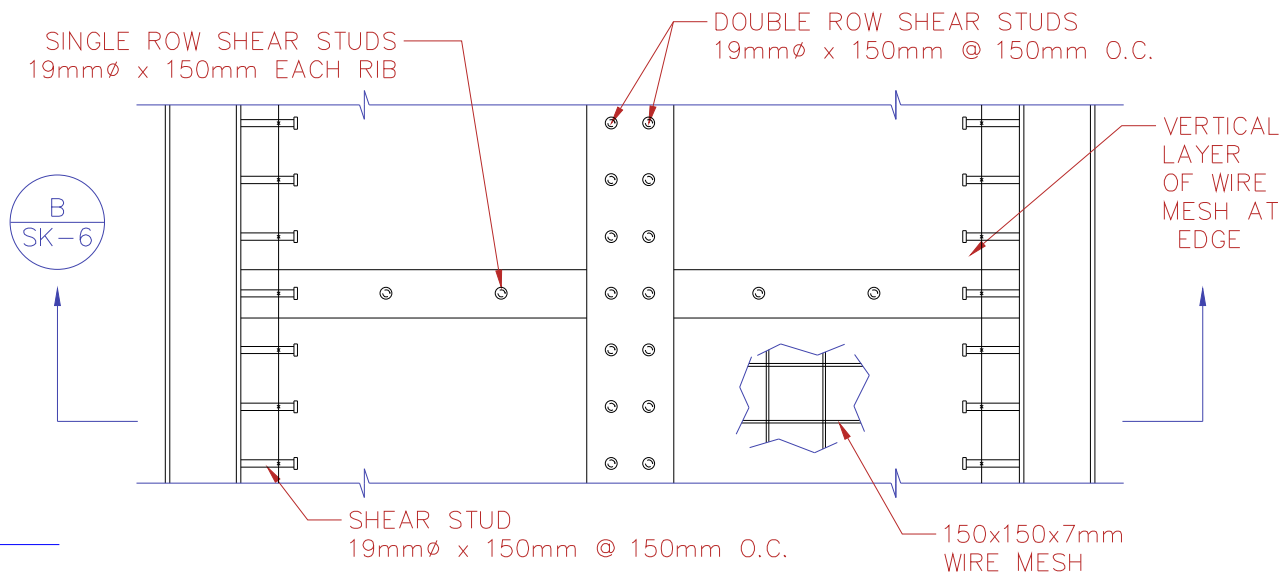
NCBF1 - NON-SEISMIC CONCENTRICALLY BRACED FRAME 1	
NEESR NCREE BRACED FRAME TEST	DWG:
DRAWN BY: ADS DESIGNED BY: ADS DATE: 6/27/2013 CONTACT: ADSEN@UW.EDU	SK-5

NOTES:

- ALL PLATE STEEL A572 GR 50 OR EQUIVALENT
- ALL ROLLED SHAPES TO BE A992 OR EQUIVALENT
- ALL BRACES TO BE A500 GR B OR EQUIVALENT
- ALL WELDS AS DESIGNATED IN SK-1
- ALL STRUCTURAL BOLTS TO BE F10T

A
SK-6

TOP BEAM SLAB PLAN
SCALE: 1mm = 20mm



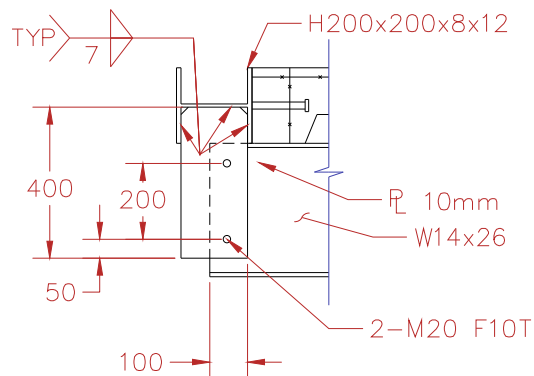
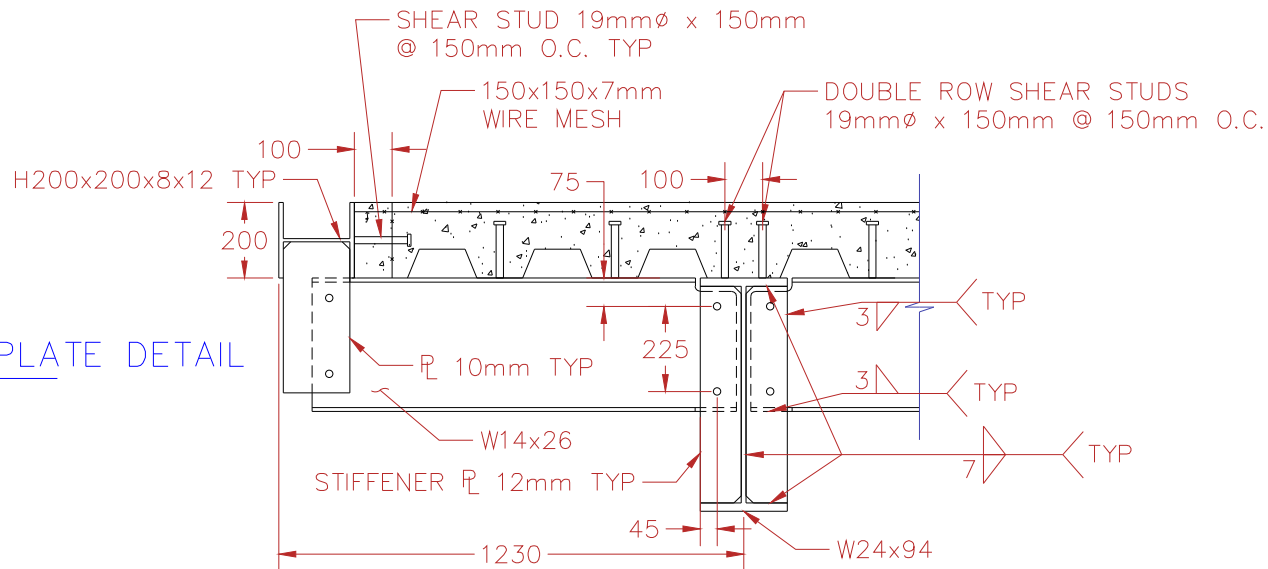
B
SK-6

TOP BEAM SLAB SECTION
SCALE: 1mm = 20mm

NCBF1 - NON-SEISMIC CONCENTRICALLY BRACED FRAME 1	
NEESR NCREE BRACED FRAME TEST	
DRAWN BY: ADS DESIGNED BY: ADS DATE: 6/27/2013 CONTACT: ADSEN@UW.EDU	
DWG:	SK-6

A
SK-7

TOP BEAM STIFFENER PLATE DETAIL
SCALE: 1mm = 20mm



B
SK-7

TOP BEAM EDGE PLATE DETAIL
SCALE: 1mm = 20mm

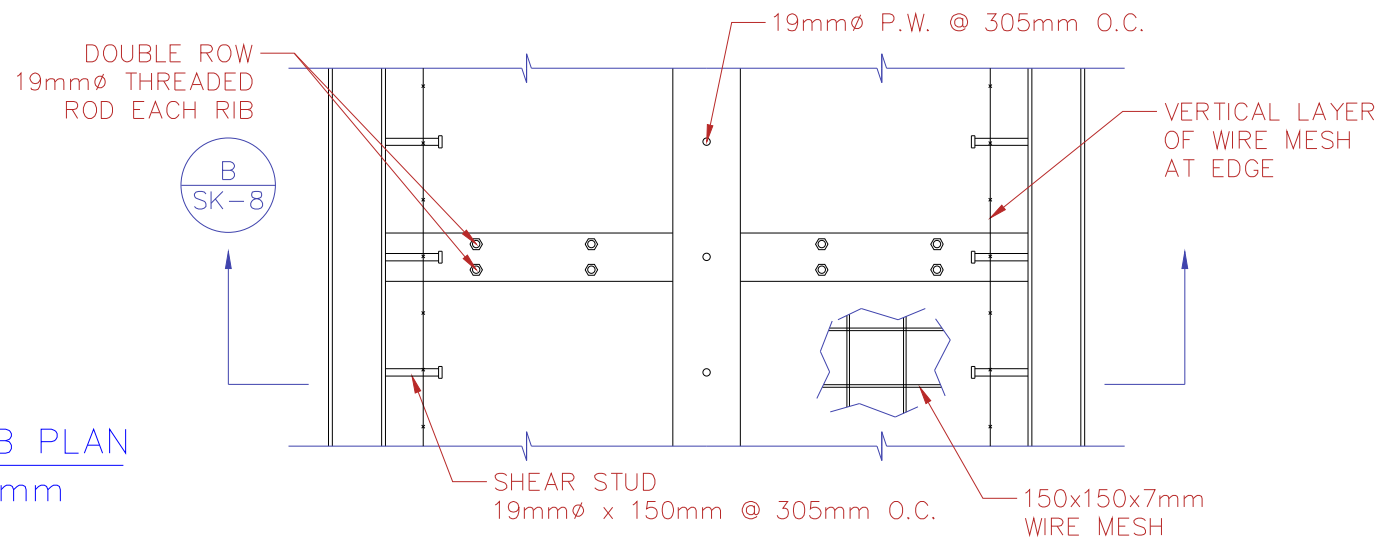
- NOTES:
- ALL PLATE STEEL A572 GR 50 OR EQUIVALENT
 - ALL ROLLED SHAPES TO BE A992 OR EQUIVALENT
 - ALL BRACES TO BE A500 GR B OR EQUIVALENT
 - ALL WELDS AS DESIGNATED IN SK-1
 - ALL STRUCTURAL BOLTS TO BE F10T

NCBF1 - NON-SEISMIC CONCENTRICALLY BRACED FRAME 1	
NEESR NCREE BRACED FRAME TEST	DWG:
DRAWN BY: ADS DESIGNED BY: ADS DATE: 6/27/2013 CONTACT: ADSEN@UW.EDU	SK-7

NOTES:
 -ALL PLATE STEEL A572 GR 50 OR EQUIVALENT
 -ALL ROLLED SHAPES TO BE A992 OR EQUIVALENT
 -ALL BRACES TO BE A500 GR B OR EQUIVALENT
 -ALL WELDS AS DESIGNATED IN SK-1
 -ALL STRUCTURAL BOLTS TO BE F10T

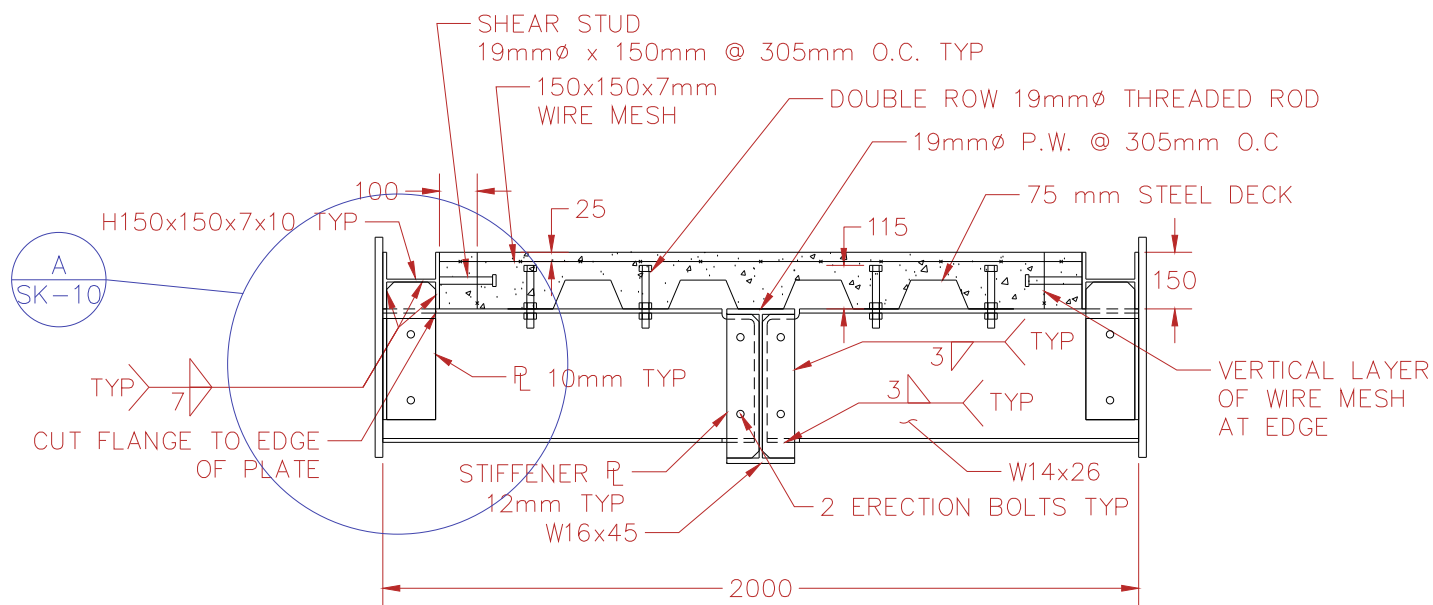
A
 SK-8

BOTTOM BEAM SLAB PLAN
 SCALE: 1mm = 20mm



A
 SK-10

BOTTOM BEAM SLAB SECTION (INNER SUPPORTS)
 SCALE: 1mm = 20mm



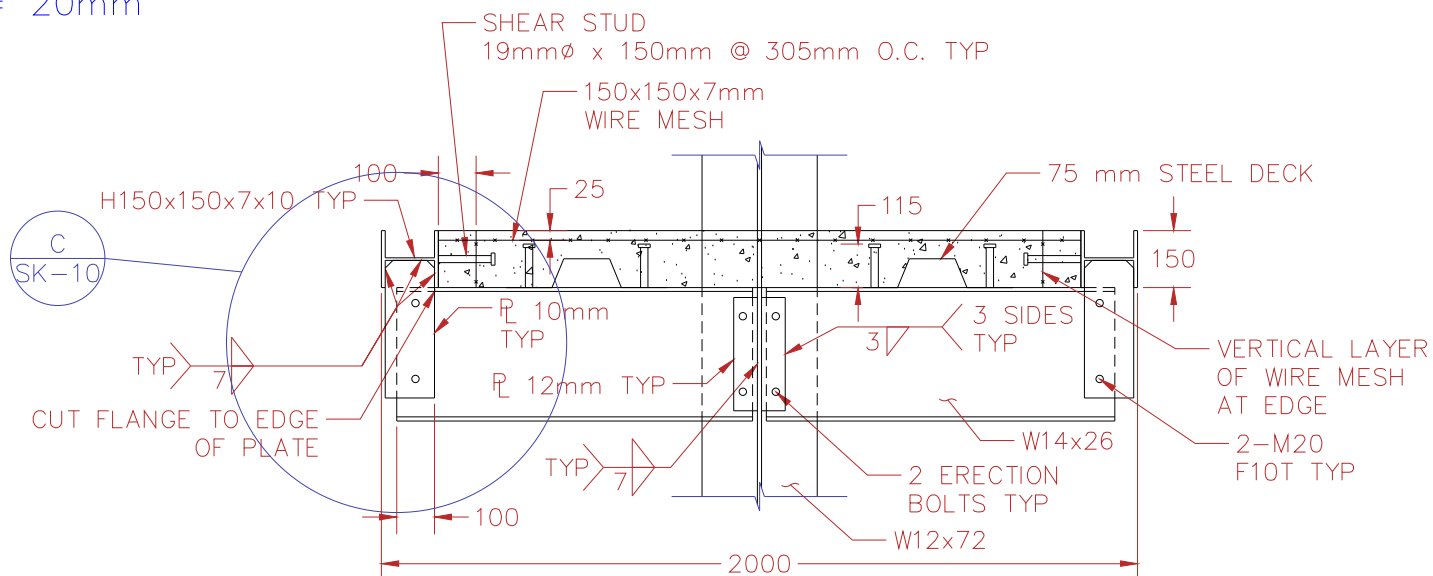
B
 SK-8

NCBF1 - NON-SEISMIC CONCENTRICALLY BRACED FRAME 1	
NEESR NCREE BRACED FRAME TEST	
DRAWN BY: ADS DESIGNED BY: ADS DATE: 6/27/2013 CONTACT: ADSEN@UW.EDU	
DWG:	SK-8

A
SK-9

BOTTOM BEAM SLAB SECTION (END SUPPORTS)

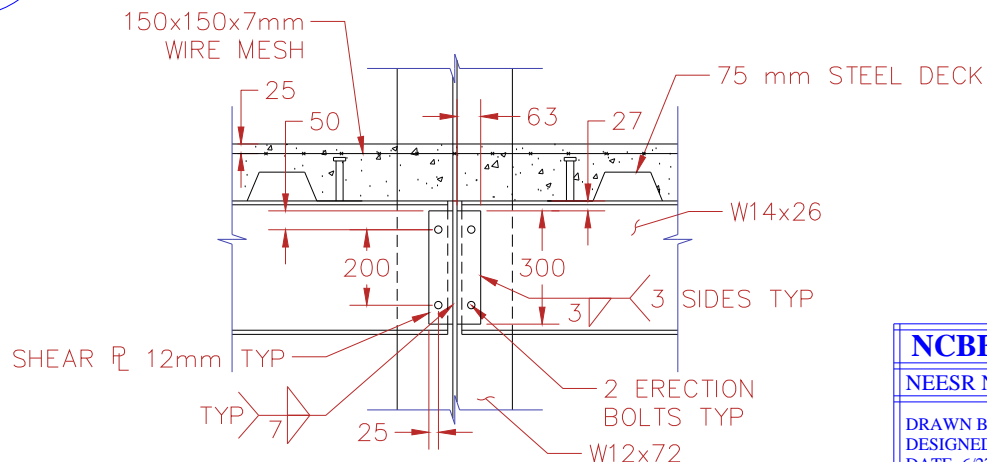
SCALE: 1mm = 20mm



B
SK-9

TYPICAL FLOOR BEAM-TO-COLUMN CONNECTION

SCALE: 1mm = 20mm



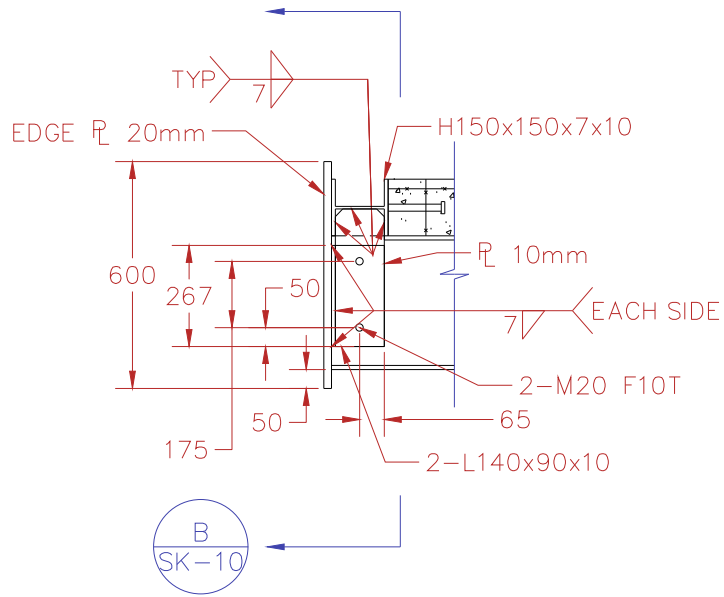
- NOTES:
- ALL PLATE STEEL A572 GR 50 OR EQUIVALENT
 - ALL ROLLED SHAPES TO BE A992 OR EQUIVALENT
 - ALL BRACES TO BE A500 GR B OR EQUIVALENT
 - ALL WELDS AS DESIGNATED IN SK-1
 - ALL STRUCTURAL BOLTS TO BE F10T

NCBF1 - NON-SEISMIC CONCENTRICALLY BRACED FRAME 1	
NEER NCEE BRACED FRAME TEST	DWG:
DRAWN BY: ADS DESIGNED BY: ADS DATE: 6/27/2013 CONTACT: ADSEN@UW.EDU	SK-9

A
SK-10

BOTTOM BEAM EDGE PLATE DETAIL (INNER SUPPORTS)

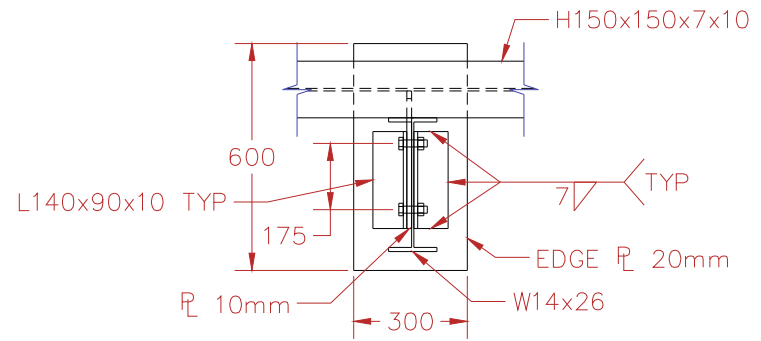
SCALE: 1mm = 20mm



B
SK-10

BOTTOM BEAM EDGE PLATE SECTION (INNER SUPPORTS)

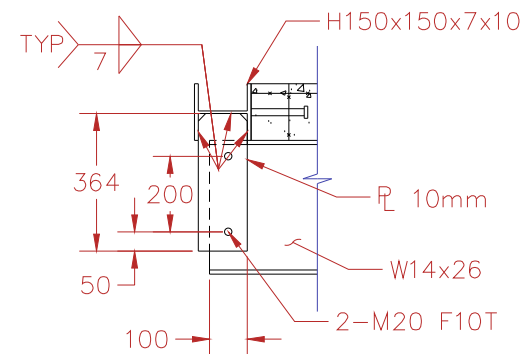
SCALE: 1mm = 20mm



C
SK-10

BOTTOM BEAM EDGE PLATE DETAIL (END SUPPORTS)

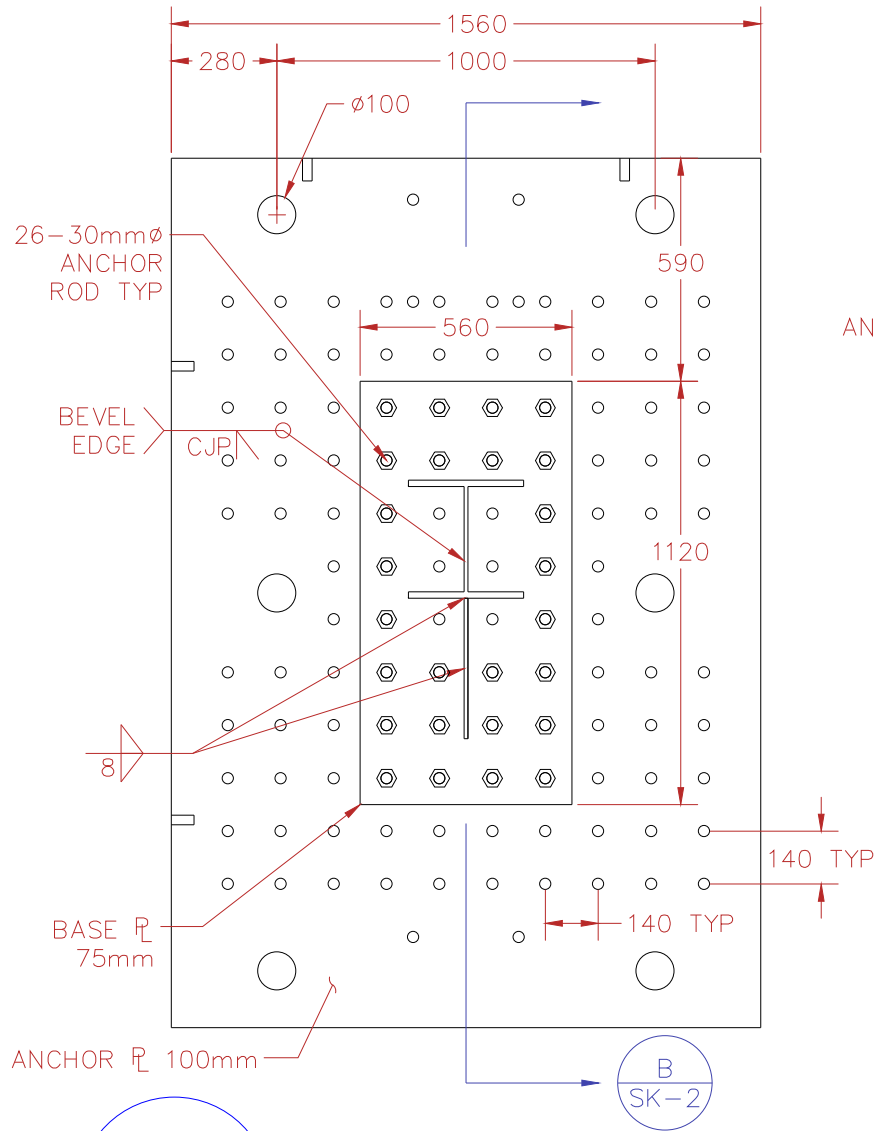
SCALE: 1mm = 20mm



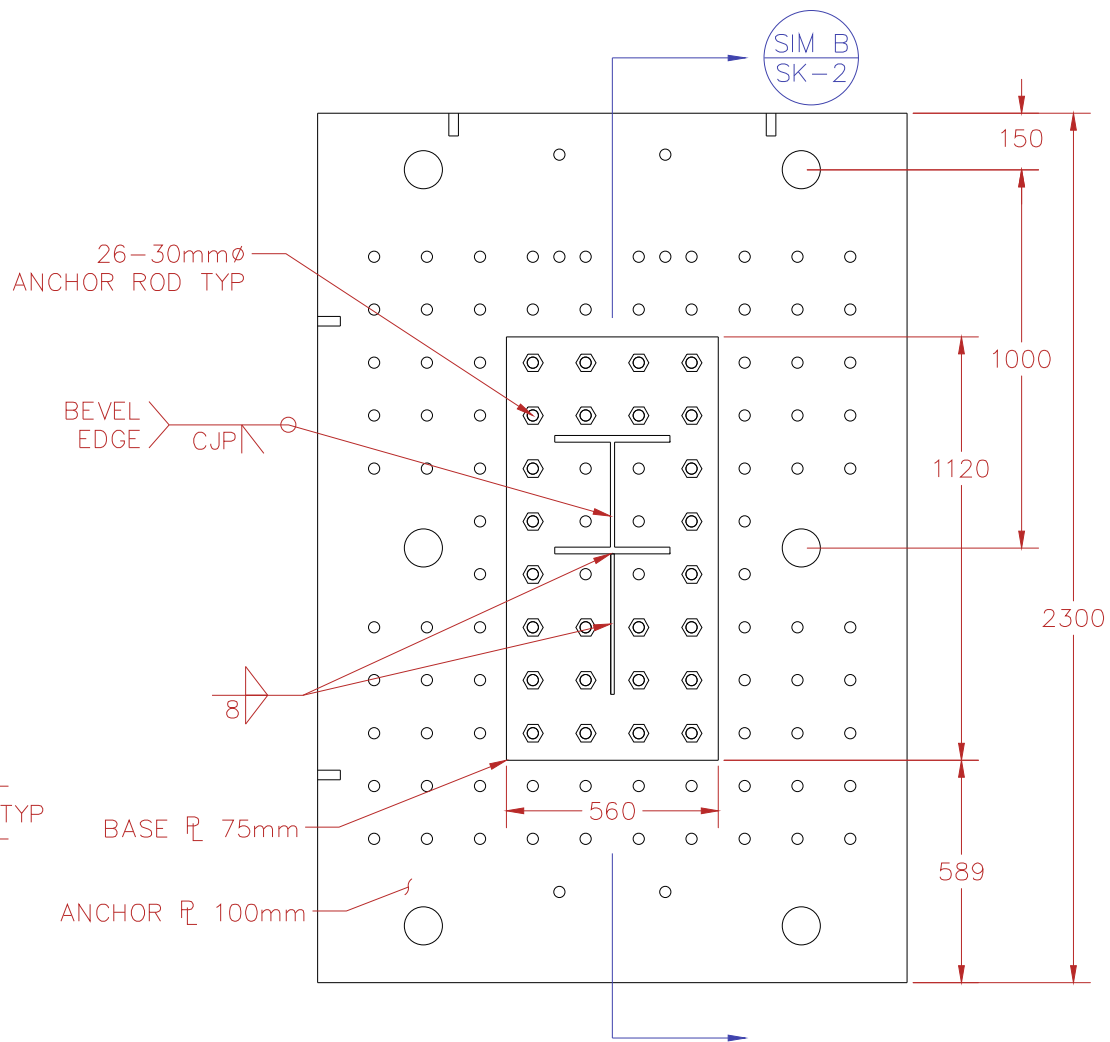
NOTES:

- ALL PLATE STEEL A572 GR 50 OR EQUIVALENT
- ALL ROLLED SHAPES TO BE A992 OR EQUIVALENT
- ALL BRACES TO BE A500 GR B OR EQUIVALENT
- ALL WELDS AS DESIGNATED IN SK-1
- ALL STRUCTURAL BOLTS TO BE F10T

NCBF1 - NON-SEISMIC CONCENTRICALLY BRACED FRAME 1	
NEESR NCREE BRACED FRAME TEST	DWG:
DRAWN BY: ADS DESIGNED BY: ADS DATE: 6/27/2013 CONTACT: ADSEN@UW.EDU	SK-10



A
SK-11 SOUTH BASE PLATE DETAIL
SCALE: 1mm = 20mm



B
SK-11 NORTH BASE PLATE DETAIL
SCALE: 1mm = 20mm

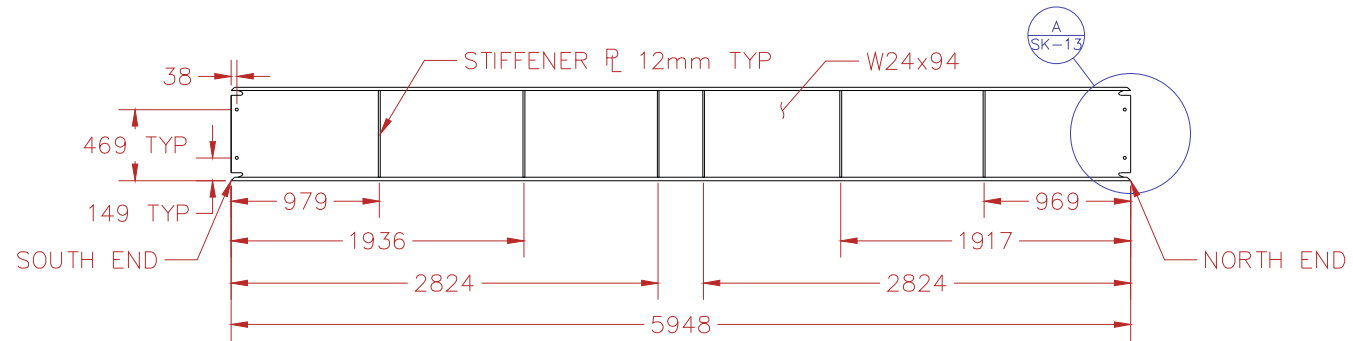
- NOTES:
- ALL PLATE STEEL A572 GR 50 OR EQUIVALENT
 - ALL ROLLED SHAPES TO BE A992 OR EQUIVALENT
 - ALL BRACES TO BE A500 GR B OR EQUIVALENT
 - ALL WELDS AS DESIGNATED IN SK-1
 - ALL STRUCTURAL BOLTS TO BE F10T

NCBF1 - NON-SEISMIC CONCENTRICALLY BRACED FRAME 1	
NEESR NCREE BRACED FRAME TEST	
DRAWN BY: ADS DESIGNED BY: ADS DATE: 6/27/2013 CONTACT: ADSEN@UW.EDU	DWG: SK-11

A
SK-12

TOP BEAM FABRICATION DETAIL

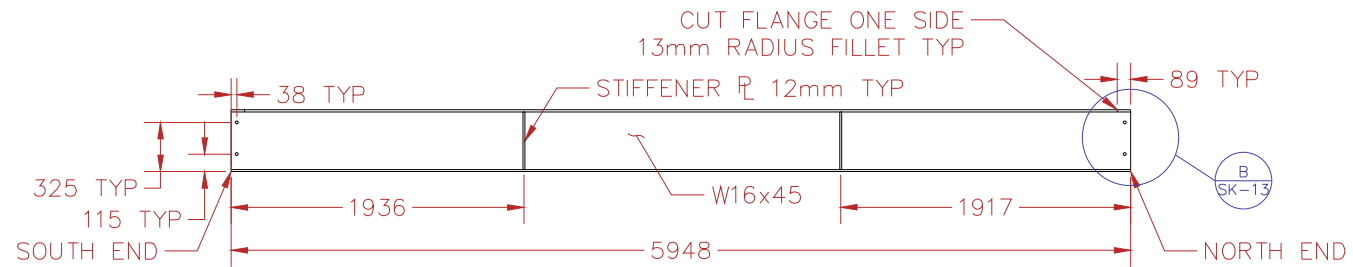
SCALE: 1mm = 50mm



B
SK-12

BOTTOM BEAM FABRICATION DETAIL

SCALE: 1mm = 50mm

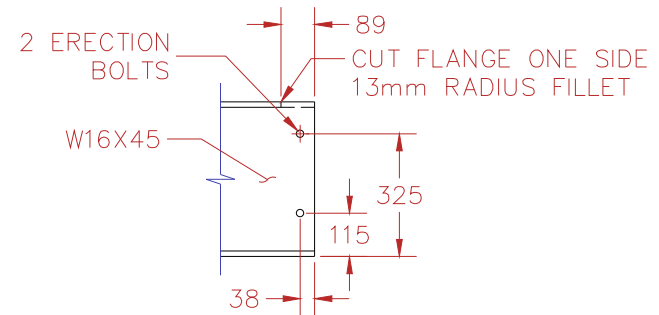
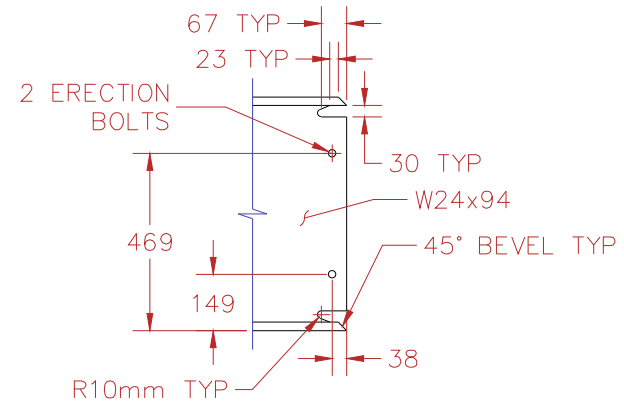
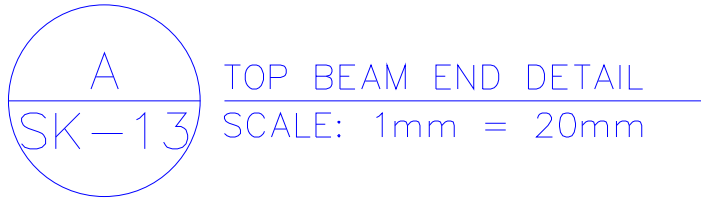


- NOTES:
- ALL PLATE STEEL A572 GR 50 OR EQUIVALENT
 - ALL ROLLED SHAPES TO BE A992 OR EQUIVALENT
 - ALL BRACES TO BE A500 GR B OR EQUIVALENT
 - ALL WELDS AS DESIGNATED IN SK-1
 - ALL STRUCTURAL BOLTS TO BE F10T

NCBF1 - NON-SEISMIC CONCENTRICALLY BRACED FRAME 1	
NEESR NCREE BRACED FRAME TEST	DWG:
DRAWN BY: ADS DESIGNED BY: ADS DATE: 6/27/2013 CONTACT: ADSEN@UW.EDU	SK-12

PRODUCED BY AN AUTODESK EDUCATIONAL PRODUCT

PRODUCED BY AN AUTODESK EDUCATIONAL PRODUCT



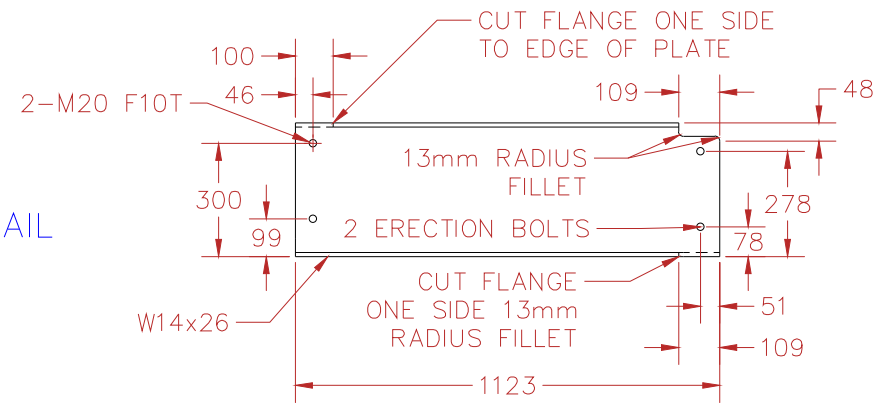
- NOTES:
- ALL PLATE STEEL A572 GR 50 OR EQUIVALENT
 - ALL ROLLED SHAPES TO BE A992 OR EQUIVALENT
 - ALL BRACES TO BE A500 GR B OR EQUIVALENT
 - ALL WELDS AS DESIGNATED IN SK-1
 - ALL STRUCTURAL BOLTS TO BE F10T

NCBF1 - NON-SEISMIC CONCENTRICALLY BRACED FRAME 1	
NEESR NCREE BRACED FRAME TEST	DWG:
DRAWN BY: ADS DESIGNED BY: ADS DATE: 6/27/2013 CONTACT: ADSEN@UW.EDU	SK-13



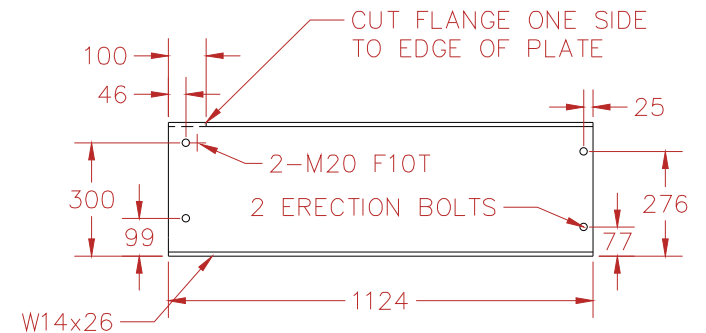
TOP FLOOR BEAM (INNER) FABRICATION DETAIL

SCALE: 1mm = 20mm



TOP FLOOR BEAM (END) FABRICATION DETAIL

SCALE: 1mm = 20mm



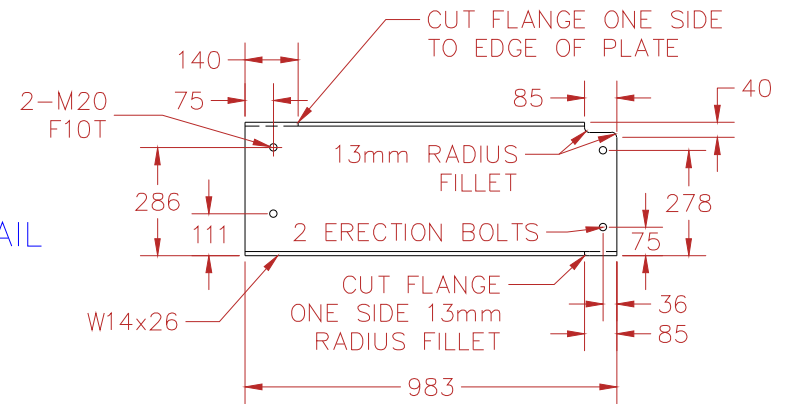
- NOTES:
- ALL PLATE STEEL A572 GR 50 OR EQUIVALENT
 - ALL ROLLED SHAPES TO BE A992 OR EQUIVALENT
 - ALL BRACES TO BE A500 GR B OR EQUIVALENT
 - ALL WELDS AS DESIGNATED IN SK-1
 - ALL STRUCTURAL BOLTS TO BE F10T

NCBF1 - NON-SEISMIC CONCENTRICALLY BRACED FRAME 1	
NEESR NCREE BRACED FRAME TEST	DWG:
DRAWN BY: ADS DESIGNED BY: ADS DATE: 6/27/2013 CONTACT: ADSEN@UW.EDU	SK-14

A
SK-15

BOTTOM FLOOR BEAM (INNER) FABRICATION DETAIL

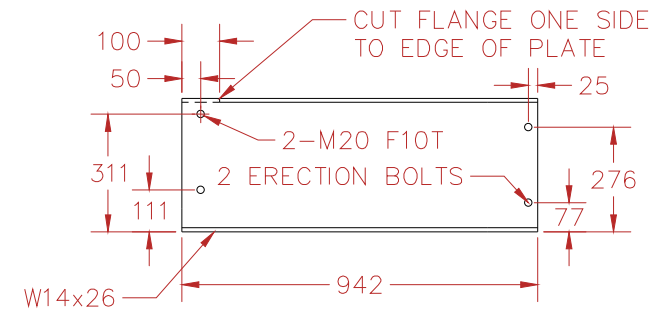
SCALE: 1mm = 20mm



B
SK-15

BOTTOM FLOOR BEAM (END) FABRICATION DETAIL

SCALE: 1mm = 20mm



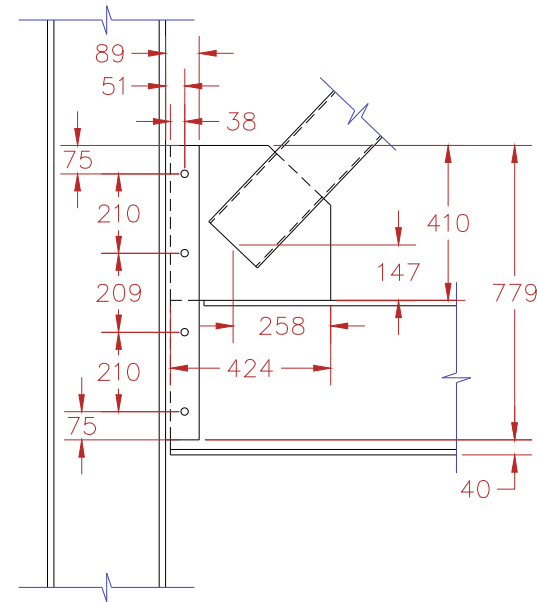
- NOTES:
- ALL PLATE STEEL A572 GR 50 OR EQUIVALENT
 - ALL ROLLED SHAPES TO BE A992 OR EQUIVALENT
 - ALL BRACES TO BE A500 GR B OR EQUIVALENT
 - ALL WELDS AS DESIGNATED IN SK-1
 - ALL STRUCTURAL BOLTS TO BE F10T

NCBF1 - NON-SEISMIC CONCENTRICALLY BRACED FRAME 1	
NEESR NCREE BRACED FRAME TEST	DWG:
DRAWN BY: ADS DESIGNED BY: ADS DATE: 6/27/2013 CONTACT: ADSEN@UW.EDU	SK-15



BRACE-TO-BEAM/COLUMN CONNECTION
FABRICATION DETAIL

SCALE: 1mm = 20mm



- NOTES:
- ALL PLATE STEEL A572 GR 50 OR EQUIVALENT
 - ALL ROLLED SHAPES TO BE A992 OR EQUIVALENT
 - ALL BRACES TO BE A500 GR B OR EQUIVALENT
 - ALL WELDS AS DESIGNATED IN SK-1
 - ALL STRUCTURAL BOLTS TO BE F10T

NCBF1 - NON-SEISMIC CONCENTRICALLY BRACED FRAME 1	
NEESR NCREE BRACED FRAME TEST	DWG:
DRAWN BY: ADS DESIGNED BY: ADS DATE: 6/27/2013 CONTACT: ADSEN@UW.EDU	SK-16