

NOTES:

- HSS5x5x3/8 BRACES TO BE A500 GR B/C
- ALL PLATE STEEL TO BE A572 GR 50 OR EQUIVALENT
- BOTTOM SLAB CONCRETE TO HAVE STRENGTH OF $f'_c=5000\text{psi}$
- ALL WELDS TO SATISFY AISC DEMAND CRITICAL AWS E71T-1 OR EQUIVALENT
- ALL UNITS IN MILLIMETERS UNLESS OTHERWISE NOTED

NCBF-INV-4 - RETROFIT CBF WITH HSS BRACES	
NEESR NCREE BRACED FRAME TEST	
DRAWN BY: MAC DESIGNED BY: MAC DATE: 11/1/2013 CONTACT: MCLARKE3@UW.EDU	
DWG:	SK-1

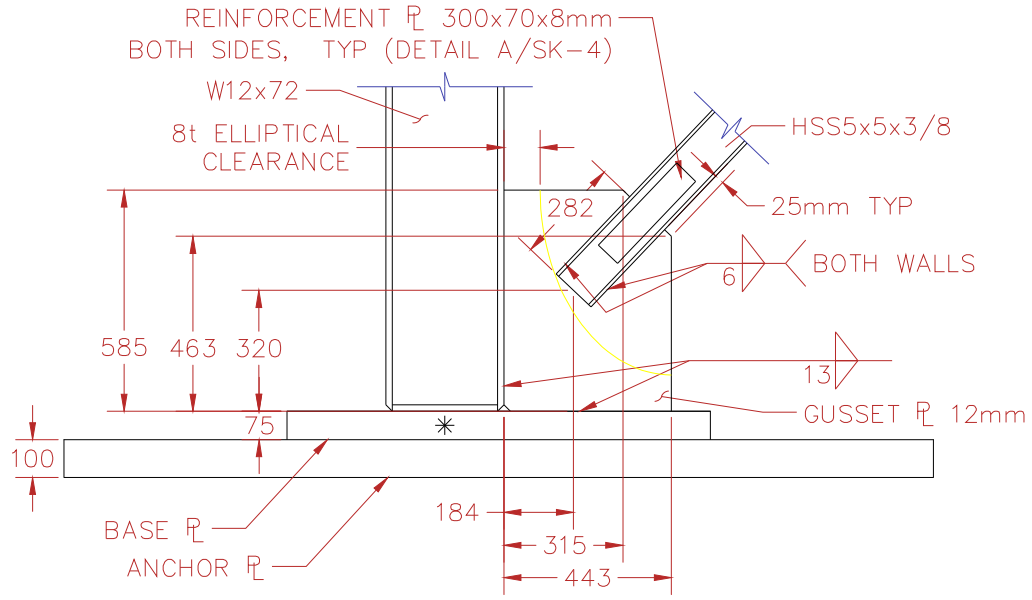
PRODUCED BY AN AUTODESK EDUCATIONAL PRODUCT

PRODUCED BY AN AUTODESK EDUCATIONAL PRODUCT

A
SK-2

BOTTOM STORY CORNER GUSSET PLATE DETAIL

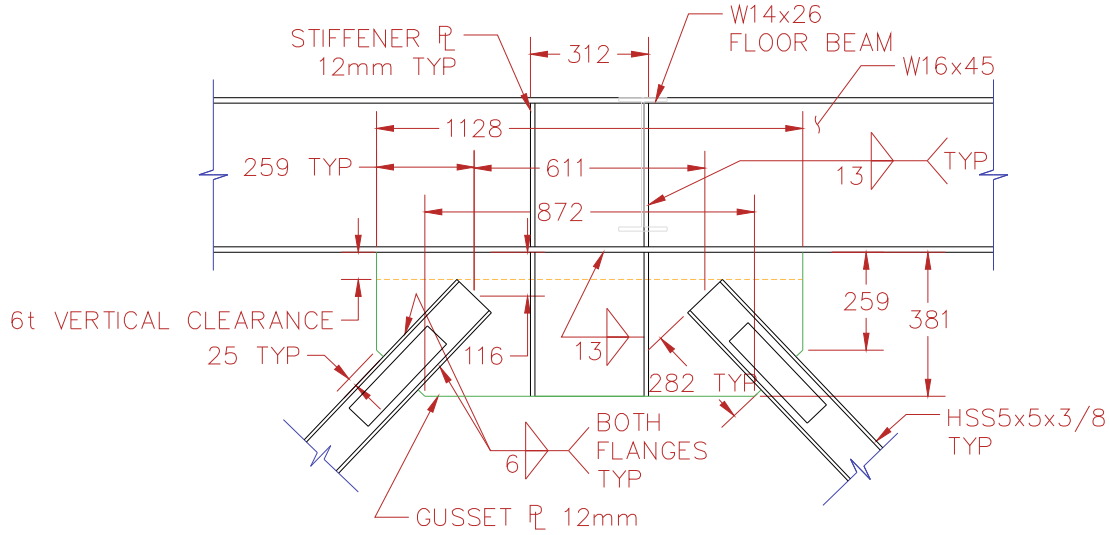
SCALE: 1mm = 20mm



B
SK-2

BOTTOM STORY MIDDLE GUSSET PLATE DETAIL

SCALE: 1mm = 20mm



NCBF-INV-4 - RETROFIT CBF WITH HSS BRACES

NEESR NCREE BRACED FRAME TEST

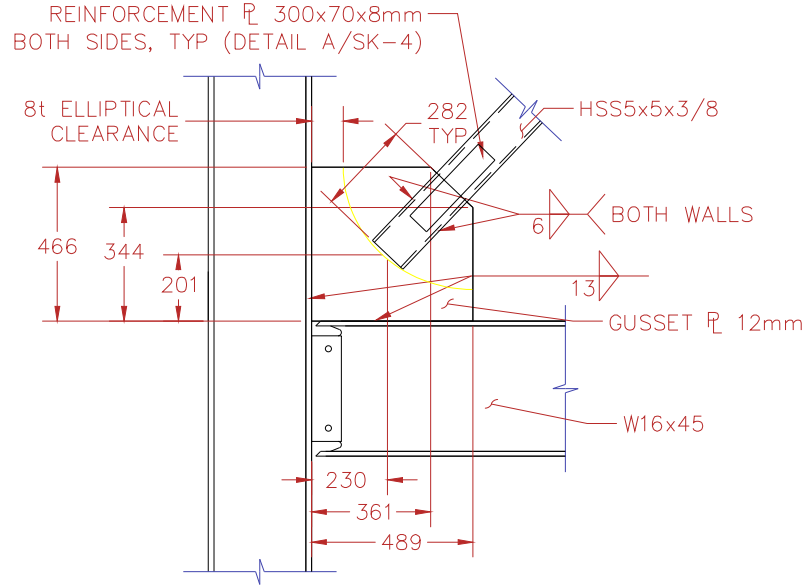
DWG:

DRAWN BY: MAC
DESIGNED BY: MAC
DATE: 11/1/2013
CONTACT: MCLARKE3@UW.EDU

SK-2

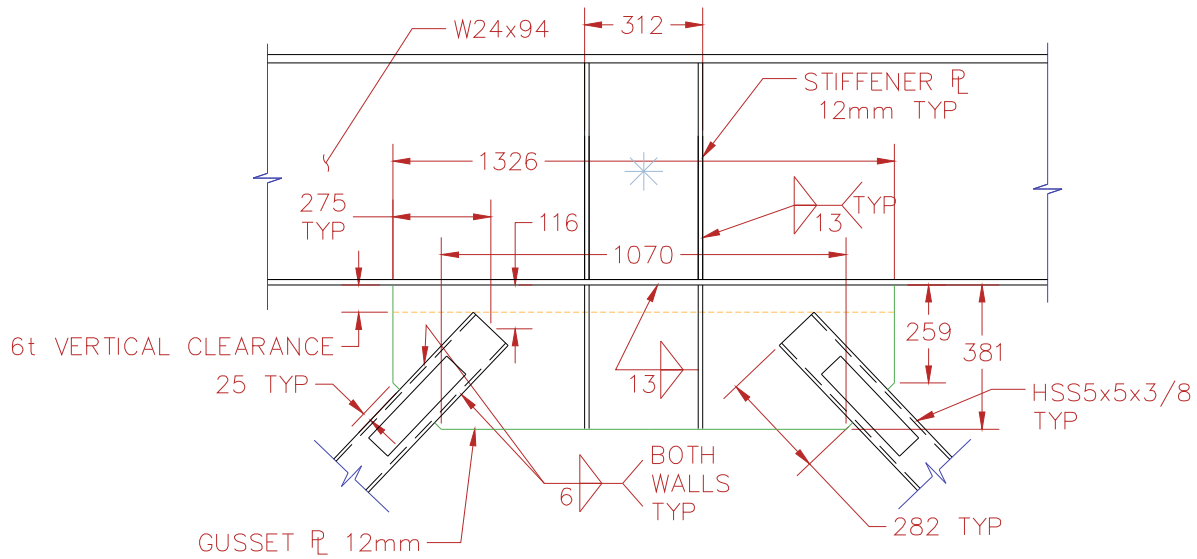
A
SK-3

TOP STORY CORNER GUSSET PLATE DETAIL
SCALE: 1mm = 20mm



B
SK-3

TOP STORY MIDDLE GUSSET PLATE DETAIL
SCALE: 1mm = 20mm



NCBF-INV-4 - RETROFIT CBF WITH HSS BRACES

NEESR NCREE BRACED FRAME TEST

DWG:

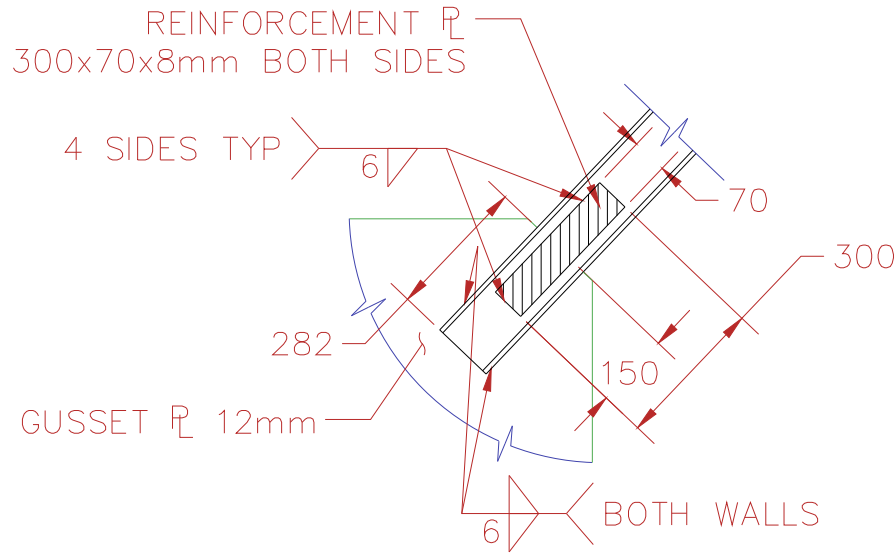
DRAWN BY: MAC
DESIGNED BY: MAC
DATE: 11/1/2013
CONTACT: MCLARKE3@UW.EDU

SK-3

A
SK-4

NET SECTION PLATE DETAIL

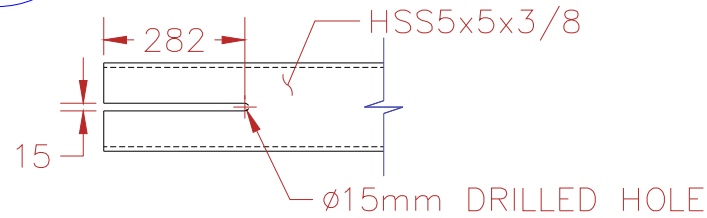
SCALE: 1mm = 15mm



B
SK-4

BRACE CUTOUT DETAIL

SCALE: 1mm = 15mm



NCBF-INV-4 - RETROFIT CBF WITH HSS BRACES

NEESR NCREE BRACED FRAME TEST

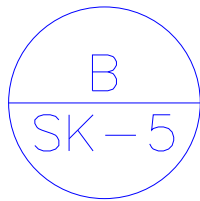
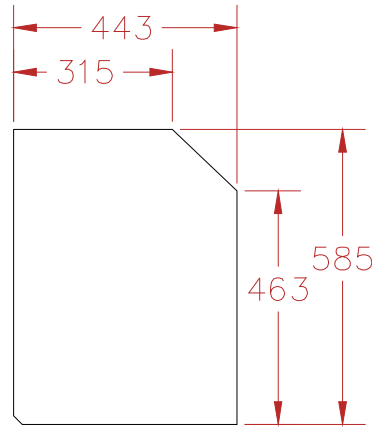
DWG:

DRAWN BY: MAC
DESIGNED BY: MAC
DATE: 11/1/2013
CONTACT: MCLARKE3@UW.EDU

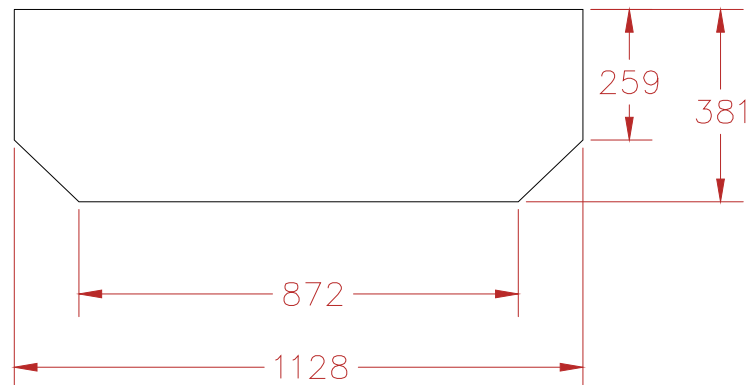
SK-4



BOTTOM STORY CORNER GUSSET PLATE FABRICATION DETAIL
SCALE: 1mm = 15mm



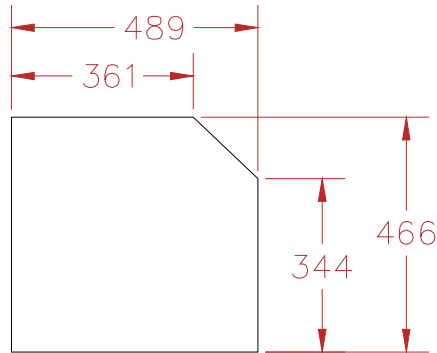
BOTTOM STORY MIDDLE GUSSET PLATE FABRICATION DETAIL
SCALE: 1mm = 15mm



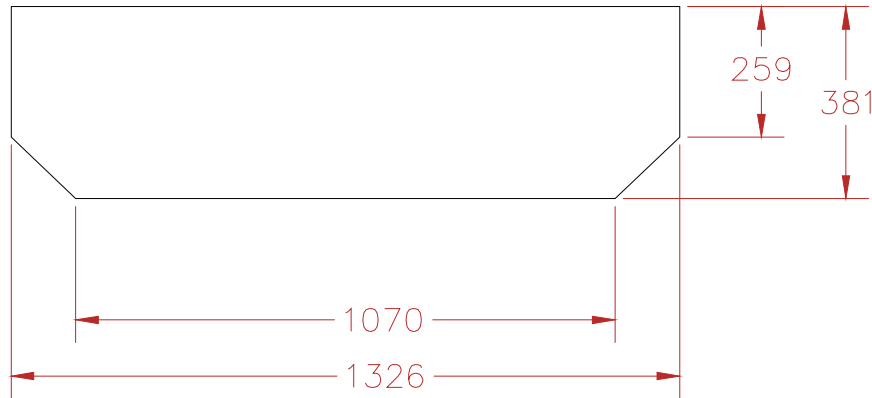
NCBF-INV-4 - RETROFIT CBF WITH HSS BRACES	
NEESR NCREE BRACED FRAME TEST	DWG:
DRAWN BY: MAC DESIGNED BY: MAC DATE: 11/1/2013 CONTACT: MCLARKE3@UW.EDU	SK-5



TOP STORY CORNER GUSSET PLATE FABRICATION DETAIL
SCALE: 1mm = 15mm



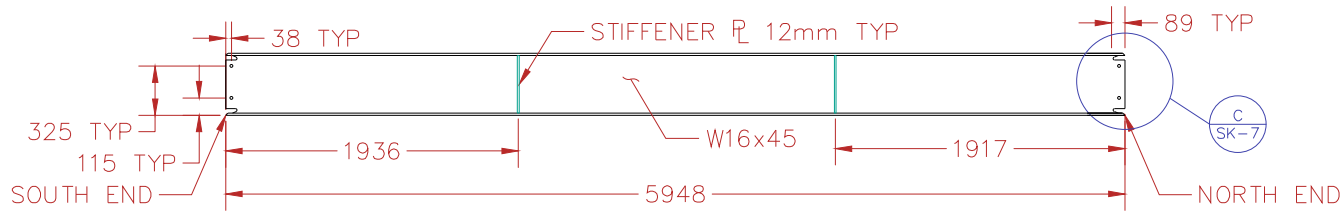
TOP STORY MIDDLE GUSSET PLATE FABRICATION DETAIL
SCALE: 1mm = 15mm



NCBF-INV-4 - RETROFIT CBF WITH HSS BRACES	
NEESR NCREE BRACED FRAME TEST	DWG:
DRAWN BY: MAC DESIGNED BY: MAC DATE: 11/1/2013 CONTACT: MCLARKE3@UW.EDU	SK-6

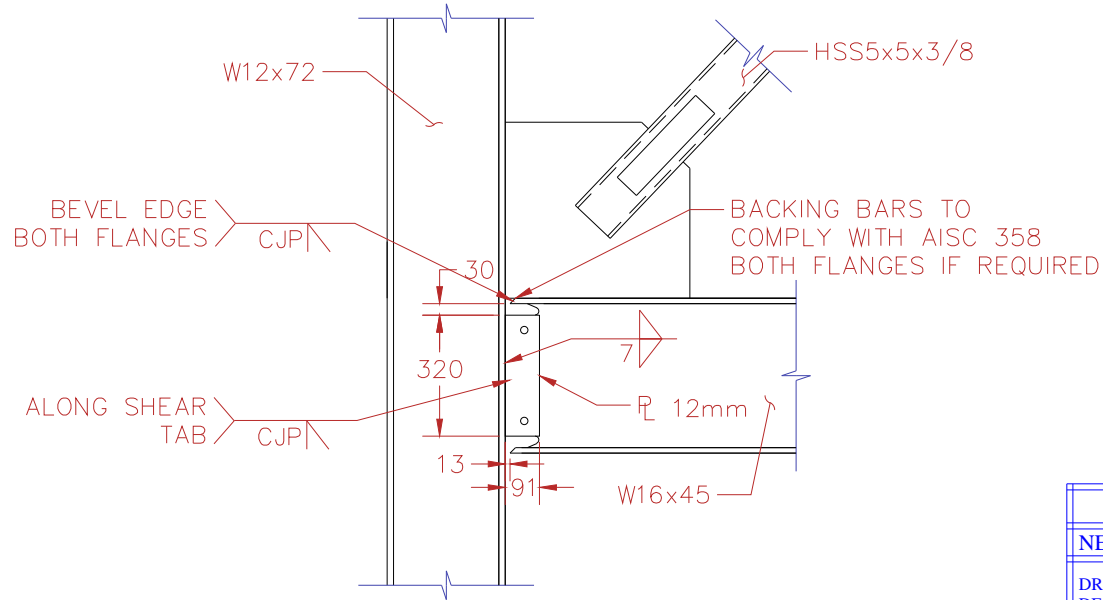
A
SK-7

BOTTOM BEAM DETAIL
SCALE: 1mm = 50mm



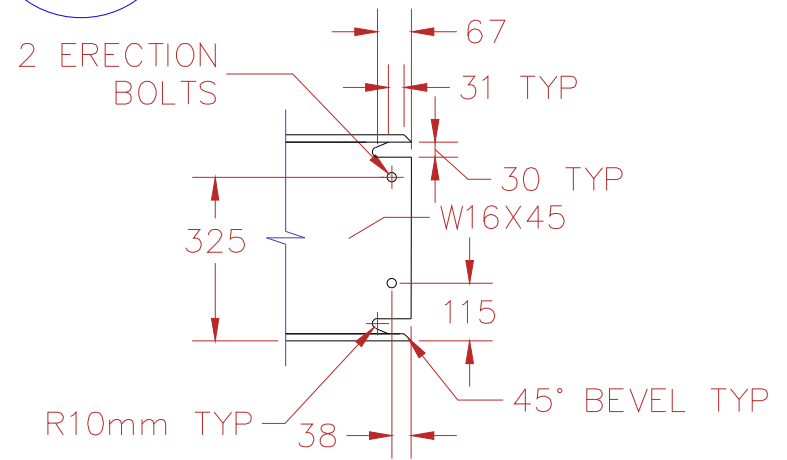
B
SK-7

BEAM CONNECTION DETAIL
SCALE: 1mm = 20mm



C
SK-7

BEAM CUTOUT DETAIL
SCALE: 1mm = 15mm



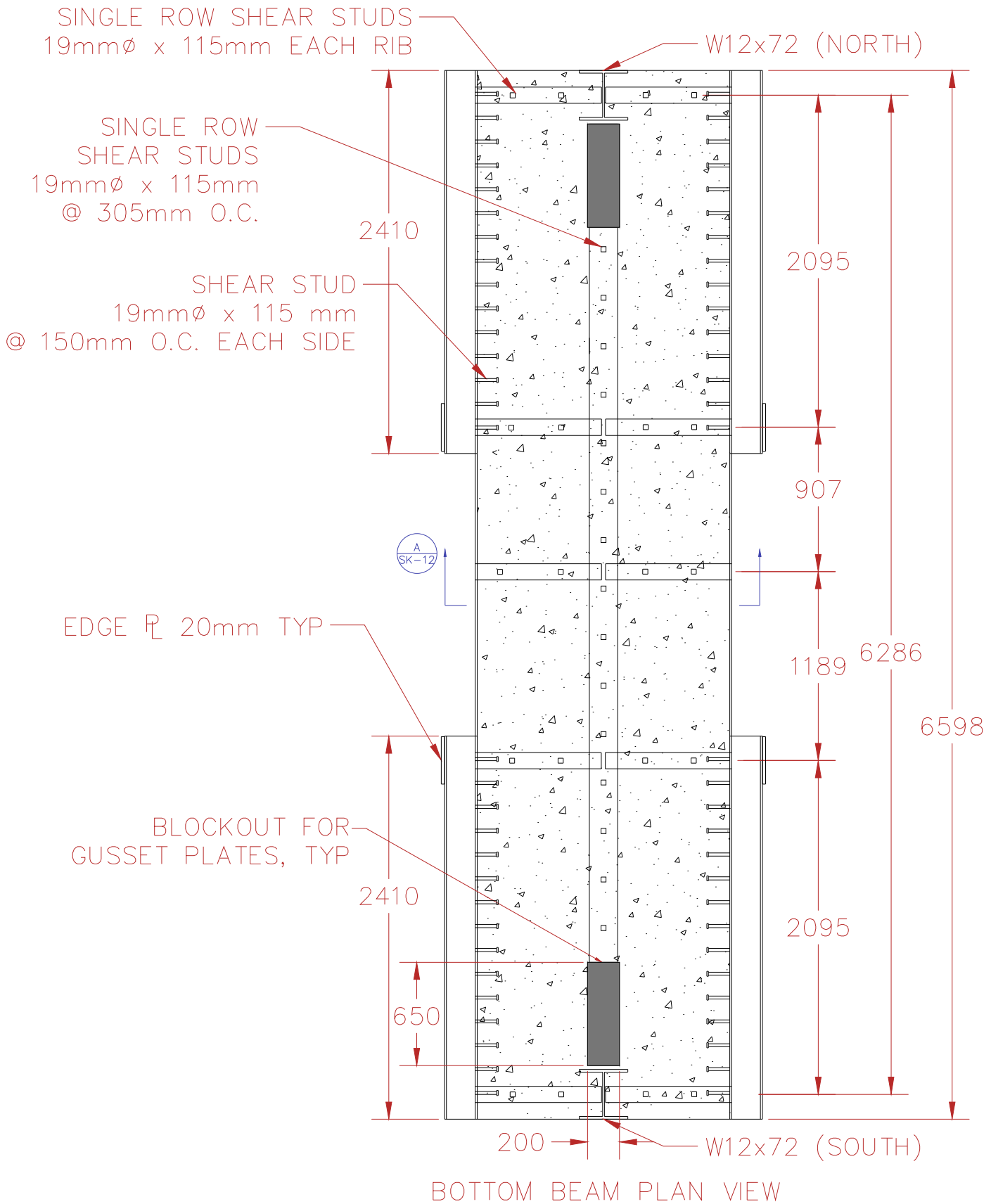
NCBF-INV-4 - RETROFIT CBF WITH HSS BRACES

NEESR NCREE BRACED FRAME TEST

DWG:

DRAWN BY: MAC
DESIGNED BY: MAC
DATE: 11/1/2013
CONTACT: MCLARKE3@UW.EDU

SK-7

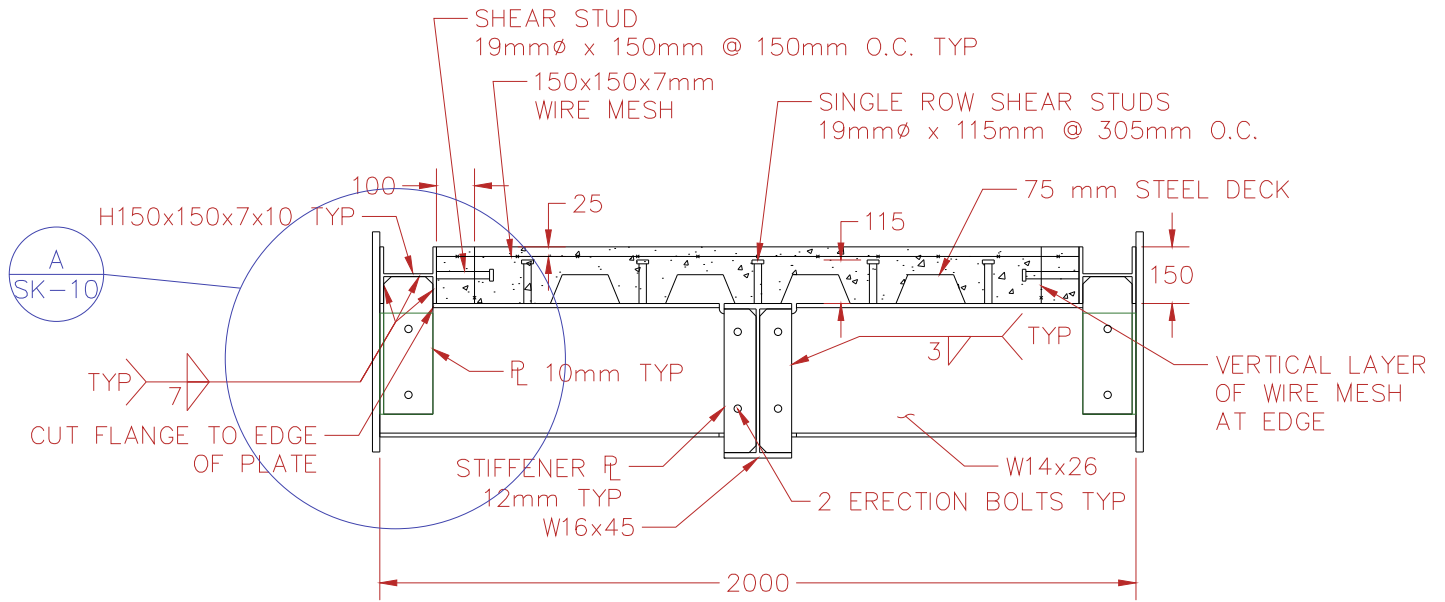


BOTTOM BEAM PLAN VIEW

NCBF-INV-4 - RETROFIT CBF WITH HSS BRACES	
NEESR NCREE BRACED FRAME TEST	
DRAWN BY: MAC DESIGNED BY: MAC DATE: 11/1/2013 CONTACT: MCLARKE3@UW.EDU	
DWG:	SK-8

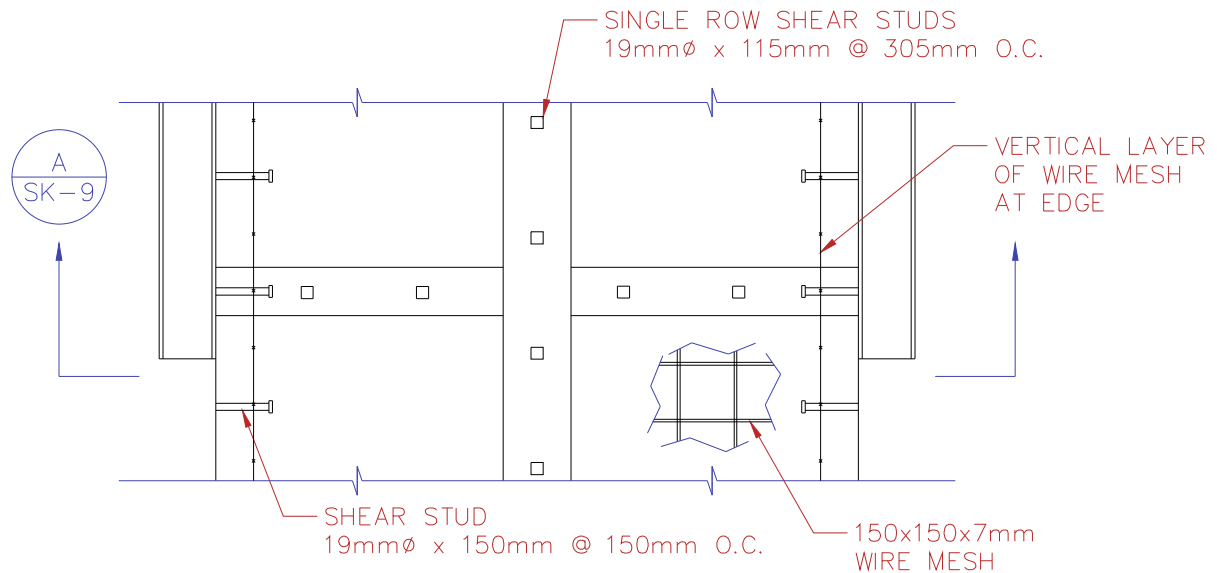
A
SK-9

BOTTOM BEAM SECTION DETAIL
SCALE: 1mm = 20mm



B
SK-9

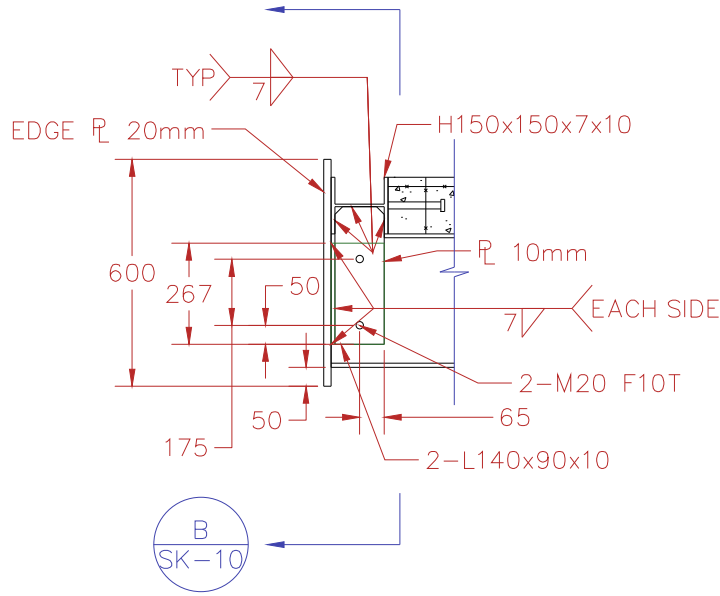
BOTTOM BEAM PLAN DETAIL
SCALE: 1mm = 20mm



NCBF-INV-4 - RETROFIT CBF WITH HSS BRACES	
NEESR NCREE BRACED FRAME TEST	
DRAWN BY: MAC DESIGNED BY: MAC DATE: 11/1/2013 CONTACT: MCLARKE3@UW.EDU	
DWG:	SK-9

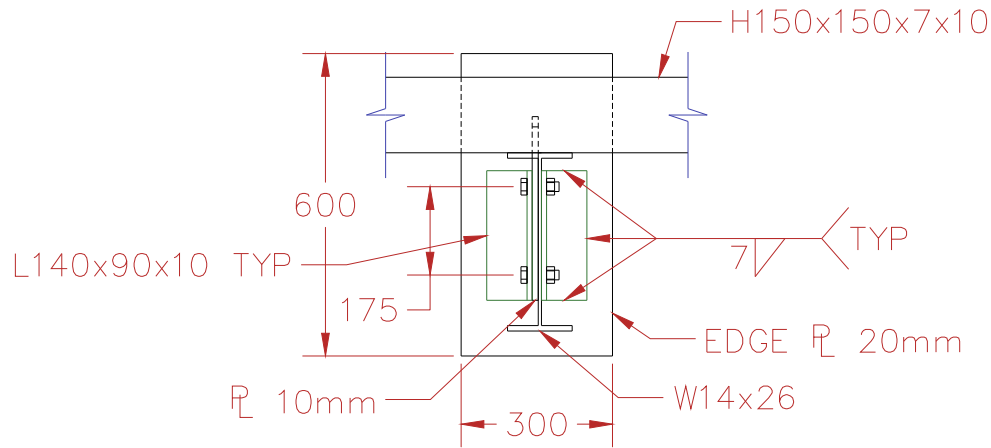
A
SK-10

BOTTOM SUPPORT BEAM CONNECTION DETAIL
SCALE: 1mm = 20mm



B
SK-10

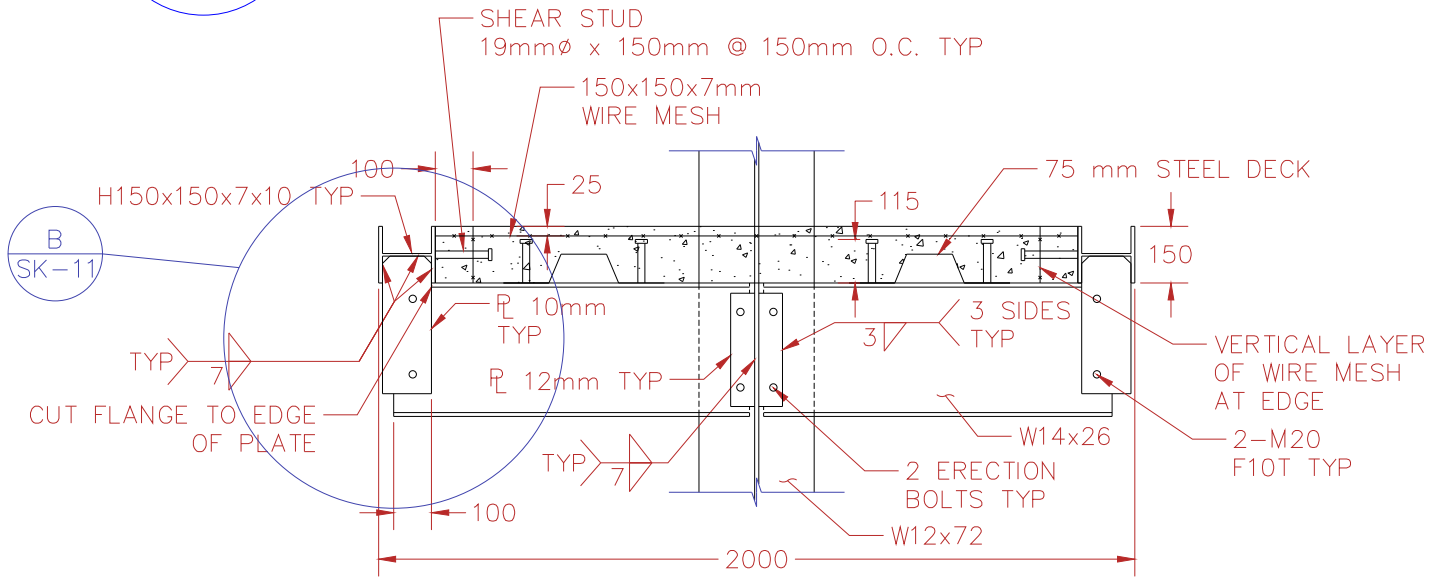
SUPPORT BEAM CONNECTION
SCALE: 1mm = 15mm



NCBF-INV-4 - RETROFIT CBF WITH HSS BRACES	
NEESR NCREE BRACED FRAME TEST	
DRAWN BY: MAC DESIGNED BY: MAC DATE: 11/1/2013 CONTACT: MCLARKE3@UW.EDU	
DWG:	SK-10

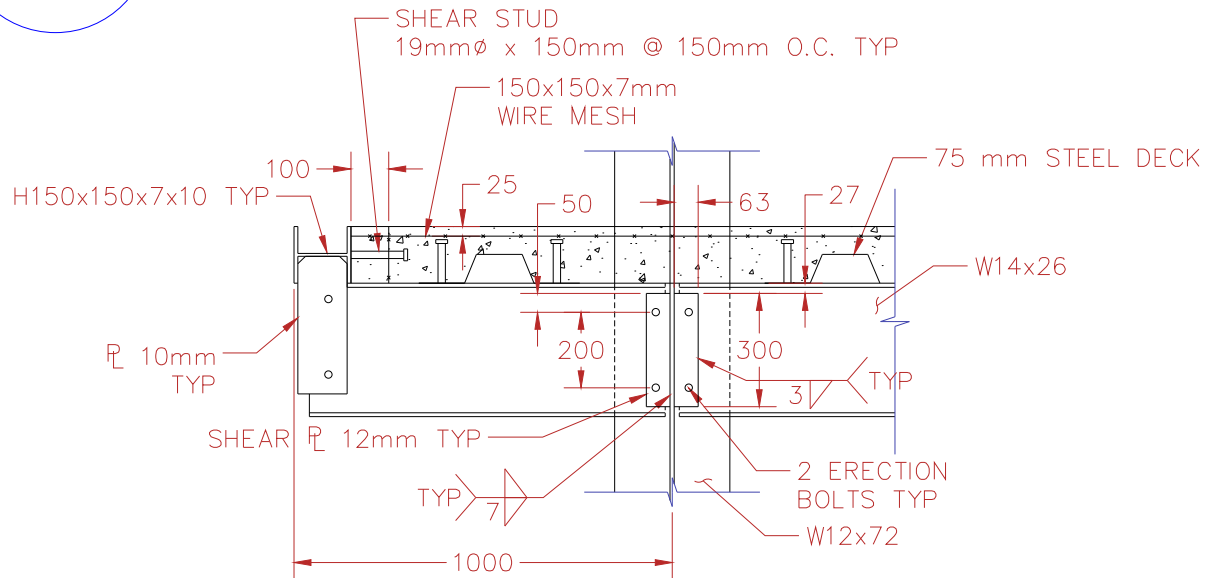
A
SK-11

BOTTOM BEAM-COLUMN-SLAB CONNECTION
SCALE: 1mm = 20mm



B
SK-11

CONNECTION DETAIL
SCALE: 1mm = 20mm



NCBF-INV-4 - RETROFIT CBF WITH HSS BRACES

NEESR NCREE BRACED FRAME TEST

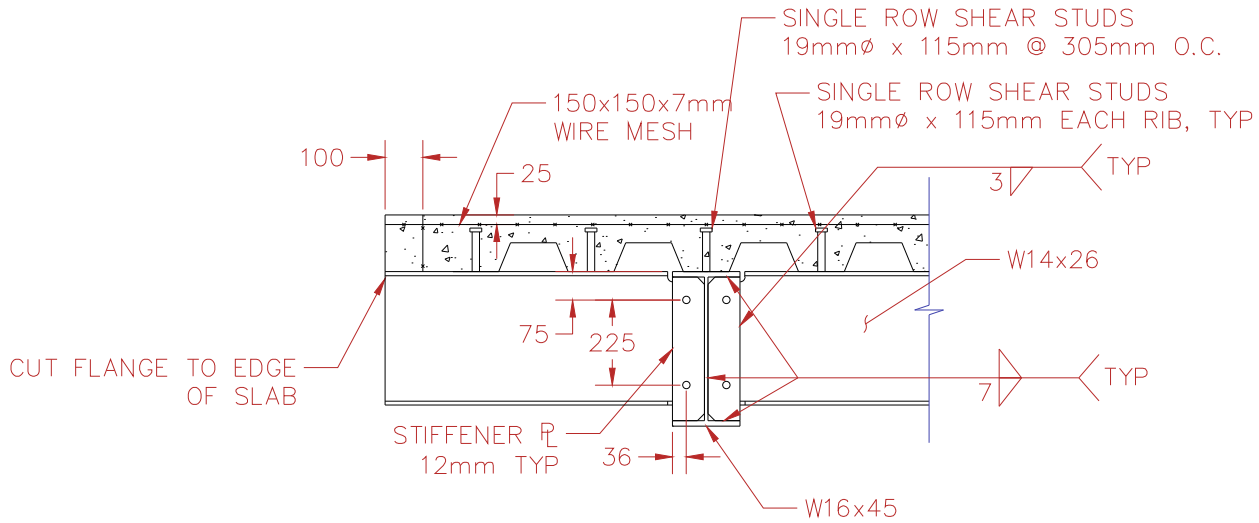
DWG:

DRAWN BY: MAC
DESIGNED BY: MAC
DATE: 11/1/2013
CONTACT: MCLARKE3@UW.EDU

SK-11

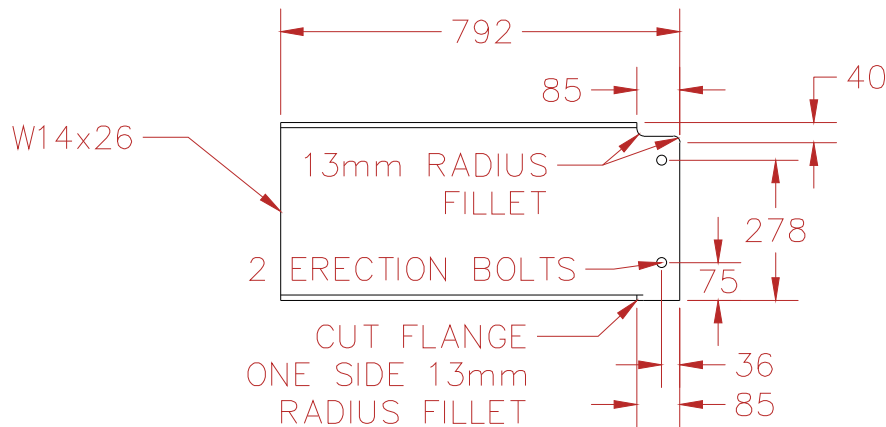
A
SK-12

MID-SPAN FLOOR BEAM CONNECTION DETAIL
SCALE: 1mm = 20mm



B
SK-12

MID-SPAN FLOOR BEAM FABRICATION DETAIL
SCALE: 1mm = 15mm



NCBF-INV-4 - RETROFIT CBF WITH HSS BRACES	
NEESR NCREE BRACED FRAME TEST	DWG:
DRAWN BY: MAC DESIGNED BY: MAC DATE: 11/1/2013 CONTACT: MCLARKE3@UW.EDU	SK-12