

NOTES:
 -H175x175x7.5x11 BRACES TO BE SN400B
 -ALL PLATE STEEL TO BE A572 GR 50 OR EQUIVALENT
 -ALL WELDS TO SATISFY AISC DEMAND CRITICAL AWS E71T-1 OR EQUIVALENT

NCBF-INV-3 - NON-SEISMIC CBF WITH WIDE FLANGE BRACES	
NEESR NCREE BRACED FRAME TEST	
DRAWN BY: ADS DESIGNED BY: ADS DATE: 8/17/2013 CONTACT: ADSEN@UW.EDU	
DWG:	SK-1

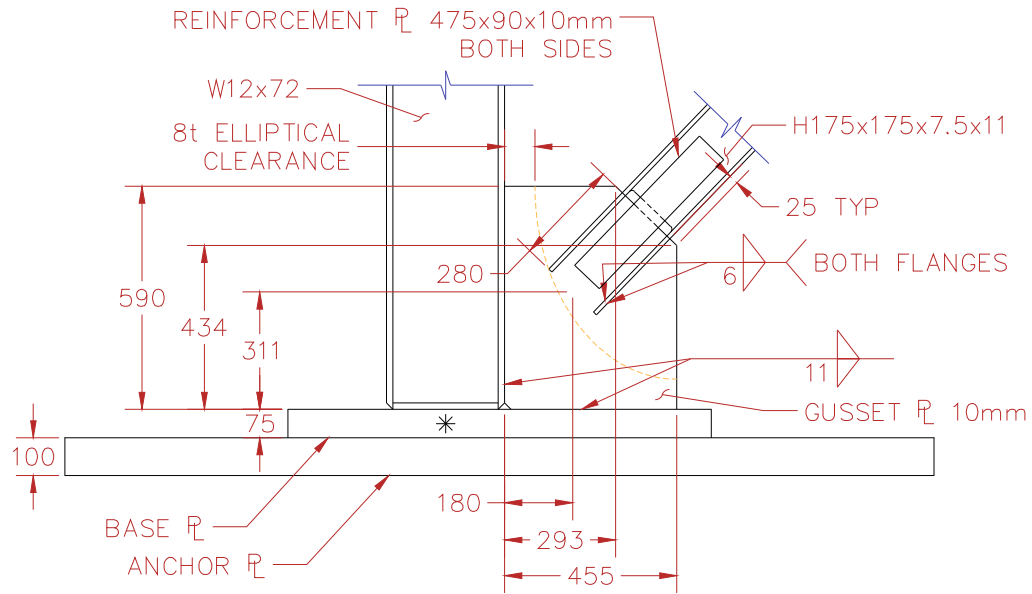
PRODUCED BY AN AUTODESK EDUCATIONAL PRODUCT

PRODUCED BY AN AUTODESK EDUCATIONAL PRODUCT

A
SK-2

BASE GUSSET PLATE REPAIR DETAIL

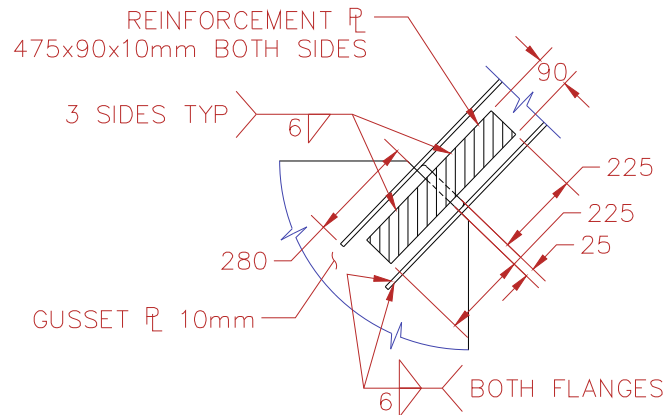
SCALE: 1mm = 20mm



B
SK-2

NET SECTION REINFORCEMENT DETAIL

SCALE: 1mm = 20mm



NCBF-INV-3 - NON-SEISMIC CBF WITH WIDE FLANGE BRACES

NEESR NCREE BRACED FRAME TEST

DWG:

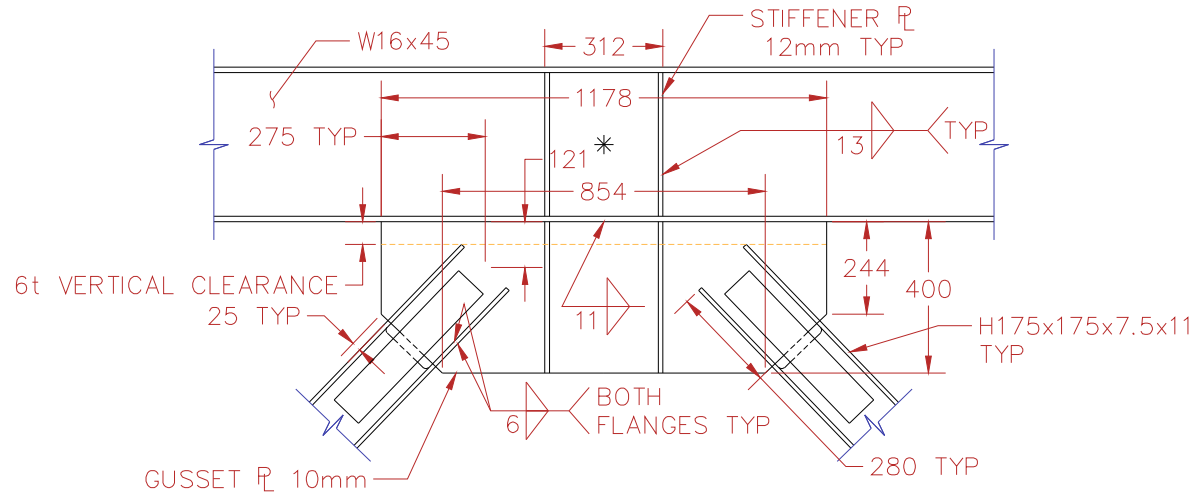
DRAWN BY: ADS
DESIGNED BY: ADS
DATE: 8/17/2013
CONTACT: ADSEN@UW.EDU

SK-2

A
SK-3

BOTTOM BEAM GUSSET PLATE REPAIR DETAIL

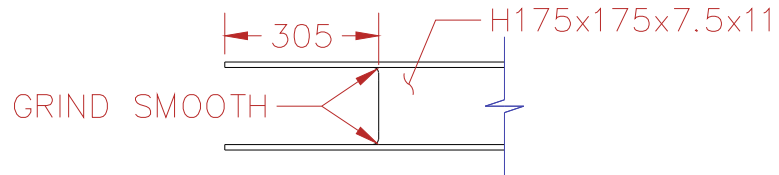
SCALE: 1mm = 20mm



B
SK-3

BRACE WEB CUTOUT DETAIL

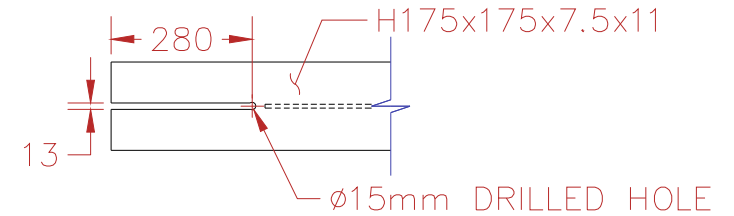
SCALE: 1mm = 15mm



C
SK-3

BRACE SLOT DETAIL

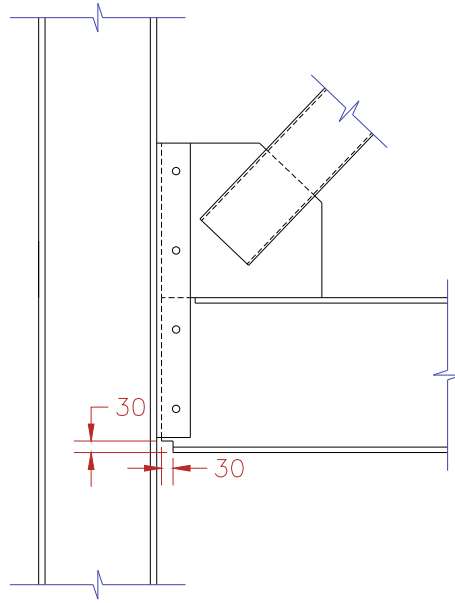
SCALE: 1mm = 15mm



NCBF-INV-3 - NON-SEISMIC CBF WITH WIDE FLANGE BRACES	
NEESR NCREE BRACED FRAME TEST	
DRAWN BY: ADS DESIGNED BY: ADS DATE: 8/17/2013 CONTACT: ADSEN@UW.EDU	
DWG:	SK-3



BOTTOM BEAM CUTOUT DETAIL
SCALE: 1mm = 20mm



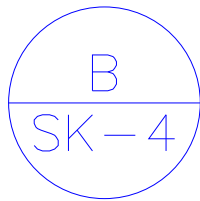
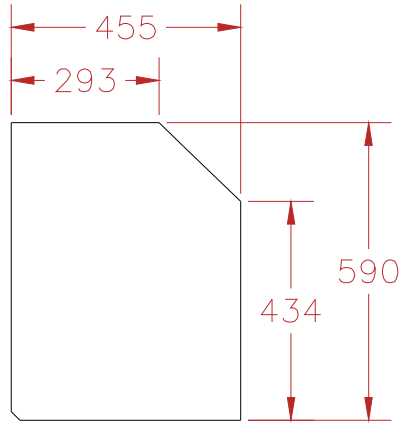
PRODUCED BY AN AUTODESK EDUCATIONAL PRODUCT

PRODUCED BY AN AUTODESK EDUCATIONAL PRODUCT

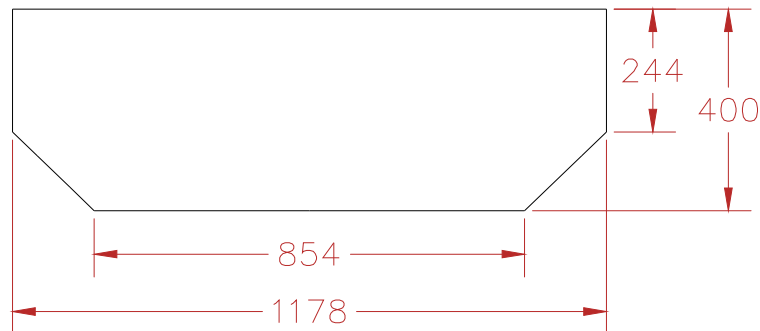
NCBF-INV-3 - NON-SEISMIC CBF WITH WIDE FLANGE BRACES	
NEESR NCREE BRACED FRAME TEST	
DRAWN BY: ADS DESIGNED BY: ADS DATE: 8/17/2013 CONTACT: ADSEN@UW.EDU	
DWG:	SK-4



CORNER GUSSET PLATE FABRICATION DETAIL
SCALE: 1mm = 15mm



MIDDLE GUSSET PLATE FABRICATION DETAIL
SCALE: 1mm = 15mm



NCBF-INV-3 - NON-SEISMIC CBF WITH WIDE FLANGE BRACES	
NEESR NCREE BRACED FRAME TEST	
DRAWN BY: ADS DESIGNED BY: ADS DATE: 8/17/2013 CONTACT: ADSEN@UW.EDU	
DWG:	SK-5

PRODUCED BY AN AUTODESK EDUCATIONAL PRODUCT

PRODUCED BY AN AUTODESK EDUCATIONAL PRODUCT