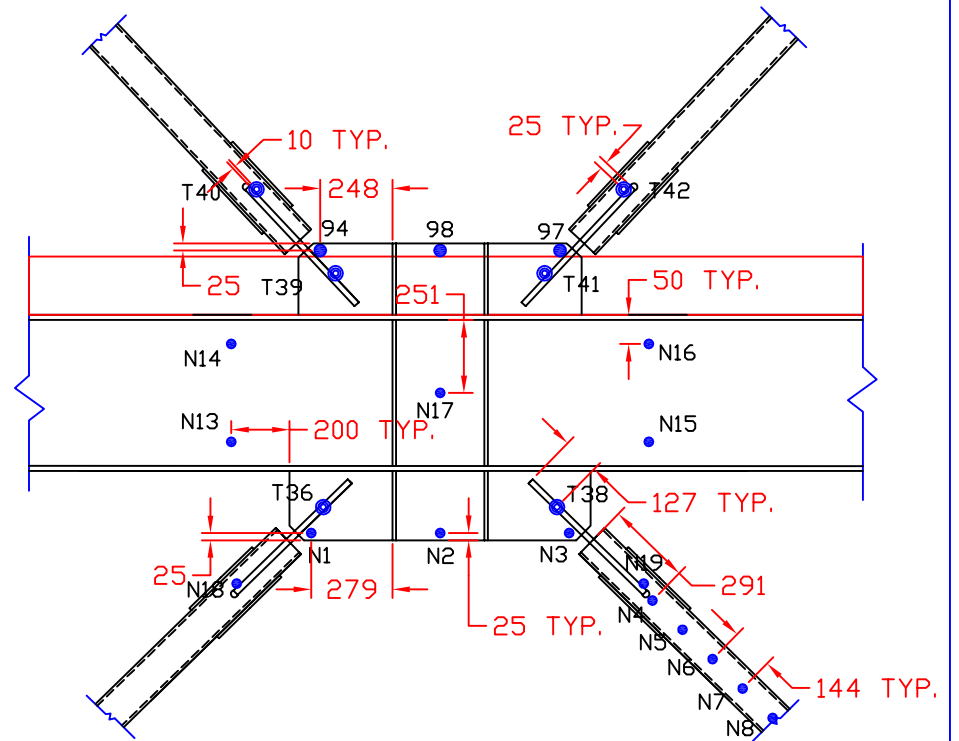


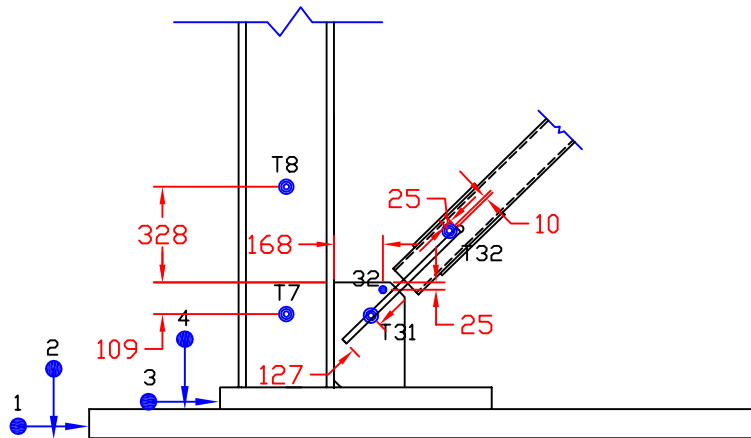
MIDDLE BEAM SIDE GUSSET PLATES, TYP.

NOTE: TILTMETERS ON THE BEAM AND T17, T18 ARE IN THE SAME LOCATION AS TCBF2-1 AND TCBF2-2



LOWER BEAM MIDDLE GUSSET PLATE

NOTE: THE NDI LED'S ARE MOUNTED ON THE EAST SIDE OF THE FRAME ALL OTHER GAGES ARE ON THE WEST SIDE



LOWER GUSSET PLATE, TYP.

TCBF2-3 - TOMORROW'S CONCENTRIC BRACED FRAME

NEES/SG NCREE BRACED FRAME TEST

DRAWN BY: E.JL
 DESIGNED BY: E.JL, PCH
 CHECKED BY: N/A
 DATE: May 7, 2009
 CONTACT: CROEDER@U.WASHINGTON.EDU

DWG:

IN-5