

# GENERAL NOTES

**KEY**

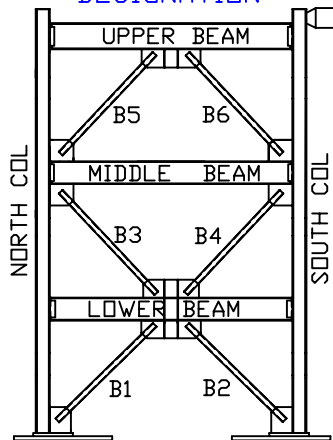
POTENTIOMETER

- LOCATED AT TOP FACE
- LOCATED AT BOTTOM FACE
- DIRECTION  
OUT IS POSITIVE
- ⊕ PLYWOOD OOP POT

**ABBREVIATIONS**

E EAST  
W WEST  
C CENTER  
UPP UPPER  
MID MIDDLE  
LOW LOWER  
BM BEAM  
COL COLUMN  
GUS GUSSET  
PL PLATE  
ROT ROTATION  
OOP OUT OF PLANE  
CONN CONNECTION  
DISP DISPLACEMENT  
HORIZ HORIZONTAL  
VERT VERTICAL  
MIDPT MIDPOINT  
QRPT QUARTERPOINT

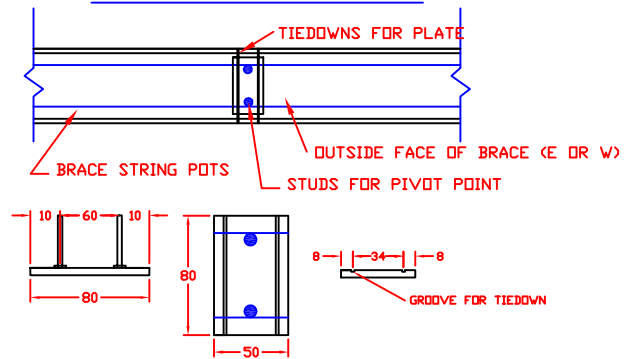
**DESIGNATION**



# TILT-METER LOCATION DESIGNATIONS

⊙	DESCRIPTION	RANGE +/-	⊙	DESCRIPTION	RANGE +/-
			T49	MID BM UPP S KNIFE PL ROT	5 DEG
			T50	MID BM UPP S KNIFE PL ROT	15 DEG
			T51	UPP BM LOW N KNIFE PL ROT	15 DEG
			T52	UPP BM LOW N KNIFE PL ROT	5 DEG
			T53	UPP BM LOW S KNIFE PL ROT	15 DEG
			T54	UPP BM LOW S KNIFE PL ROT	5 DEG
T7	N COL ROT AT LOW GUS	5 DEG			
T8	N COL ROT AT LOW GUS	5 DEG			
T9	W COL ROT AT LOW GUS	5 DEG			
T10	W COL ROT AT LOW GUS	5 DEG			
T15	N COL ROT AT MID BM LOW GUS	5 DEG			
T16	N COL ROT AT MID BM LOW GUS	5 DEG			
T18	N COL ROT AT MID BM UPP GUS	5 DEG			
T19	MID BM ROT AT N GUS EDGE	5 DEG			
T20	MID BM ROT AT N GUS EDGE	5 DEG			
T21	S COL ROT AT MID BM LOW GUS	5 DEG			
T22	S COL ROT AT MID BM LOW GUS	5 DEG			
T24	S COL ROT AT MID BM UPP GUS	5 DEG			
T25	MID BM ROT AT S GUS EDGE	5 DEG			
T26	MID BM ROT AT S GUS EDGE	5 DEG			
T27	UPP BM ROT AT N GUS EDGE	5 DEG			
T28	UPP BM ROT AT N GUS EDGE	5 DEG			
T29	UPP BM ROT AT S GUS EDGE	5 DEG			
T30	UPP BM ROT AT S GUS EDGE	5 DEG			
T31	LOW N KNIFE PL ROT	5 DEG			
T32	LOW N KNIFE PL ROT	15 DEG			
T33	LOW S KNIFE PL ROT	5 DEG			
T34	LOW S KNIFE PL ROT	15 DEG			
T36	LOW BM LOW N KNIFE PL ROT	5 DEG			
T38	LOW BM LOW S KNIFE PL ROT	5 DEG			
T39	LOW BM UPP N KNIFE PL ROT	5 DEG			
T40	LOW BM UPP N KNIFE PL ROT	15 DEG			
T41	LOW BM UPP S KNIFE PL ROT	5 DEG			
T42	LOW BM UPP S KNIFE PL ROT	15 DEG			
T43	MID BM LOW N KNIFE PL ROT	15 DEG			
T44	MID BM LOW N KNIFE PL ROT	5 DEG			
T45	MID BM LOW S KNIFE PL ROT	15 DEG			
T46	MID BM LOW S KNIFE PL ROT	5 DEG			
T47	MID BM UPP N KNIFE PL ROT	5 DEG			
T48	MID BM UPP N KNIFE PL ROT	15 DEG			

BEAM AND COLUMN ROTATIONAL TILTMETER DETAIL



BRACE OOP AND DIAGONAL POT SYSTEM

TCBF2-3 - TOMORROW'S CONCENTRIC BRACED FRAME

NEES/SG NCREE BRACED FRAME TEST INSTRUMENTATION DRAWINGS

DRAWN BY: EJL  
DESIGNED BY: EJL, PCH  
CHECKED BY: N/A  
DATE: May 7, 2009  
CONTACT: CROEDER@U.WASHINGTON.EDU

DWG:

IN-3