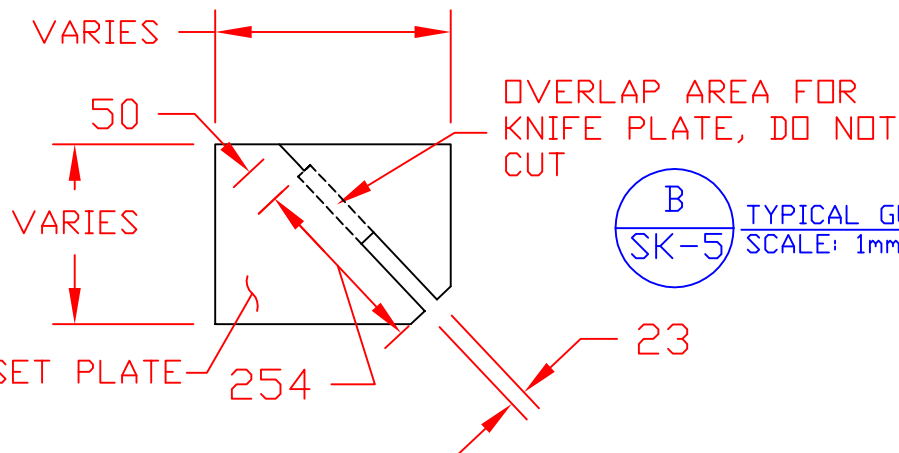
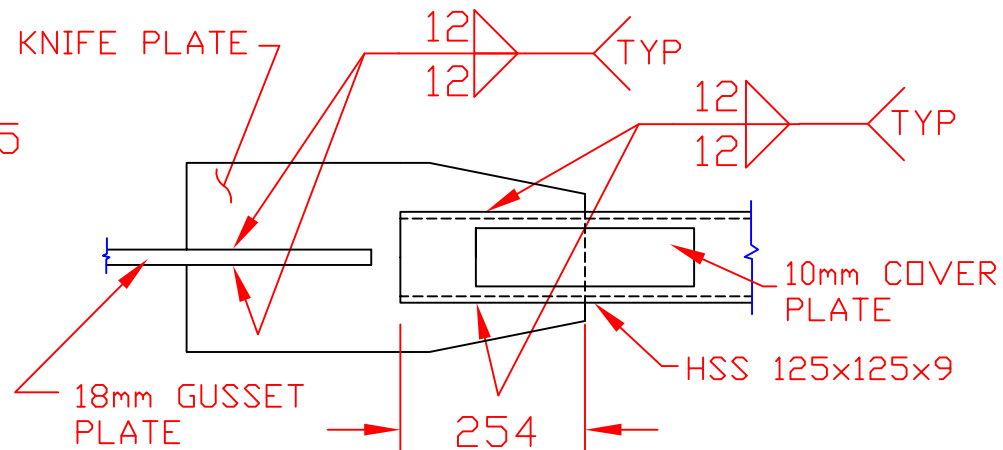


OVERLAP AREA FOR GUSSET PLATE, DO NOT CUT

**A**  
SK-5 KNIFE PLATE DETAIL  
SCALE: 1mm = 10mm



OVERLAP AREA FOR KNIFE PLATE, DO NOT CUT

**B**  
SK-5 TYPICAL GUSSET DETAIL  
SCALE: 1mm = 10mm

18mm GUSSET PLATE

NOTE: KNIFE PLATE DIMENSIONS AND KNIFE PLATE TO GUSSET PLATE WELD SIZES ARE THE SAME FOR ALL CONNECTIONS

- NOTES:
- ALL PLATE STEEL A572 OR EQUIVALENT
  - ALL ROLLED SHAPES TO BE A992 OR EQUIVALENT
  - BRACE TO BE A500 B/C OR EQUIVALENT.
  - ALL WELDS TO SATISFY AISC DEMANDS CRITICAL AWS E7IT8 OR EQUIVALENT
  - ALL BOLTS TO BE A490 OR EQUIVALENT WITH THREADS EXCLUDED FROM THE SHEAR PLANE

TCBF2-3 - TOMORROW'S CONCENTRIC BRACED FRAME 2-3	
NEES/SG NCREC BRACED FRAME TEST	
DRAWN BY: EIL DESIGNED BY: EIL,PCH CHECKED BY: CWR DATE: April 12, 2009 CONTACT: CROEDER@U.WASHINGTON.EDU	DWG: <b>SK-5</b>