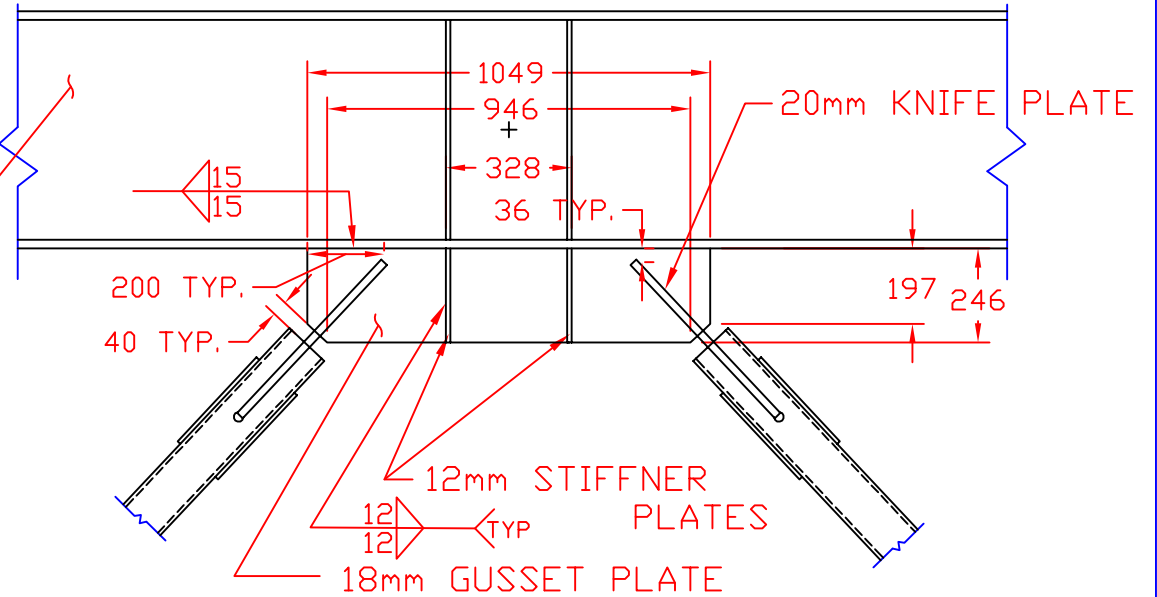


B
SK-2

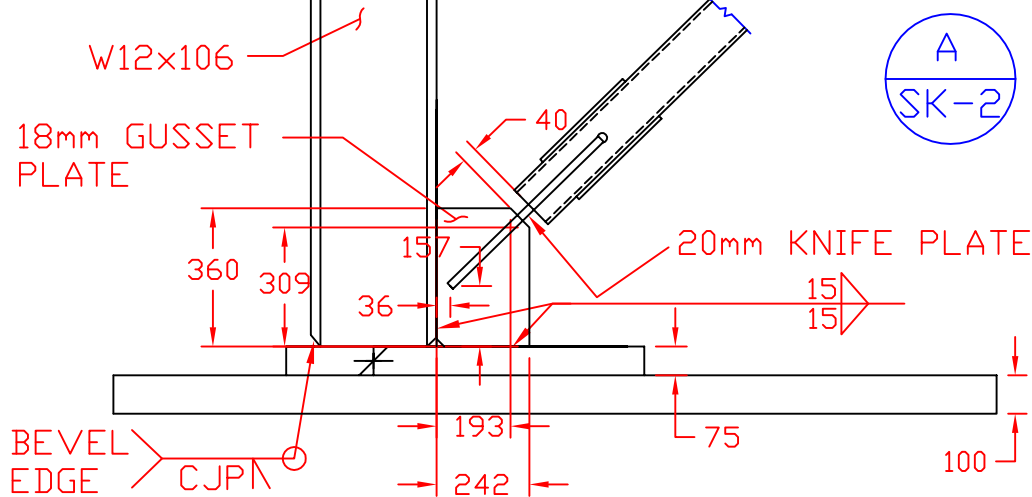
GUSSET PLATE DETAIL
SCALE: 1mm = 20mm

W24x94



A
SK-2

GUSSET PLATE DETAIL
SCALE: 1mm = 20mm



NOTES:

- ALL PLATE STEEL A572 OR EQUIVALENT
- ALL ROLLED SHAPES TO BE A992 OR EQUIVALENT
- BRACE TO BE A500 B/C OR EQUIVALENT.
- ALL WELDS TO SATISFY AISC DEMANDS CRITICAL AWS E71T8 OR EQUIVALENT
- ALL BOLTS TO BE A490 OR EQUIVALENT WITH THREADS EXCLUDED FROM THE SHEAR PLANE

TCBF2-3 - TOMORROW'S CONCENTRIC BRACED FRAME 2-3

NEES/SG NCREC BRACED FRAME TEST

DRAWN BY: EIL
DESIGNED BY: EIL,PCH
CHECKED BY: CWR
DATE: April 12, 2009
CONTACT: CROEDER@U.WASHINGTON.EDU

DWG:

SK-2