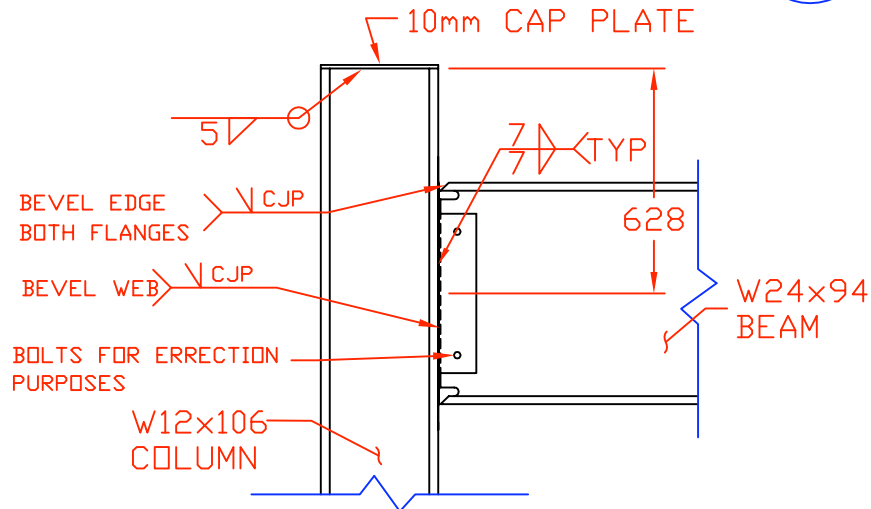


TYPICAL SHORT SLOTTED BOLT HOLE
SCALE: 1mm = 2.5mm

B
SK-7

FIRST LEVEL SHEAR TAB DETAIL
SCALE: 1mm = 20mm



A
SK-7

TOP STORY CJP DETAIL
SCALE: 1mm = 20mm

- NOTES:
- ALL PLATE STEEL A572 OR EQUIVALENT
 - ALL ROLLED SHAPES TO BE A992 OR EQUIVALENT
 - BRACE TO BE A500 B/C OR EQUIVALENT.
 - ALL WELDS TO SATISFY AISC DEMANDS CRITICAL AWS E718 OR EQUIVALENT
 - ALL BOLTS TO BE A490 OR EQUIVALENT WITH THREADS EXCLUDED FROM THE SHEAR PLANE

TCBF4 – TOMORROW'S CONCENTRIC BRACED FRAME 4	
NEES/SG NCREE BRACED FRAME TEST	
DRAWN BY: E.JL,KAC DESIGNED BY: E.JL CHECKED BY: CWR DATE: October 22, 2008 CONTACT: CROEDER@U.WASHINGTON.EDU	DWG: SK-7