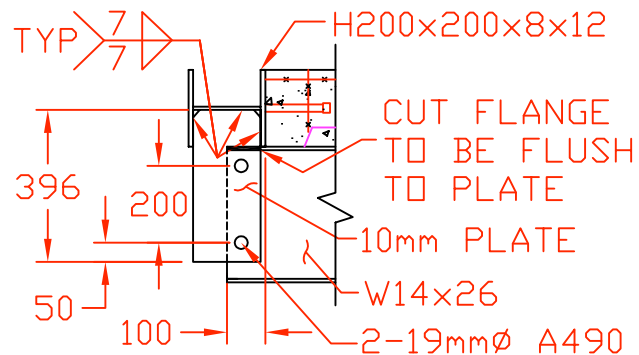


B  
SK-6

STIFFENER PLATE DETAIL  
SCALE: 1mm = 20mm



A  
SK-6

EDGE BEAM PLATE DETAIL  
SCALE: 1mm = 20mm

NOTES:

- ALL PLATE STEEL A572 OR EQUIVALENT
- ALL ROLLED SHAPES TO BE A992 OR EQUIVALENT
- BRACE TO BE A500 B/C OR EQUIVALENT.
- ALL WELDS TO SATISFY AISC DEMANDS CRITICAL AWS E71T8 OR EQUIVALENT
- ALL BOLTS TO BE A490 OR EQUIVALENT WITH THREADS EXCLUDED FROM THE SHEAR PLANE

TCBF4 - TOMORROW'S CONCENTRIC BRACED FRAME 4

NEES/SG NCEE BRACED FRAME TEST

DRAWN BY: E.JL,KAC  
DESIGNED BY: E.JL  
CHECKED BY: CWR  
DATE: October 22, 2008  
CONTACT: CROEDER@U.WASHINGTON.EDU

DWG:

SK-6