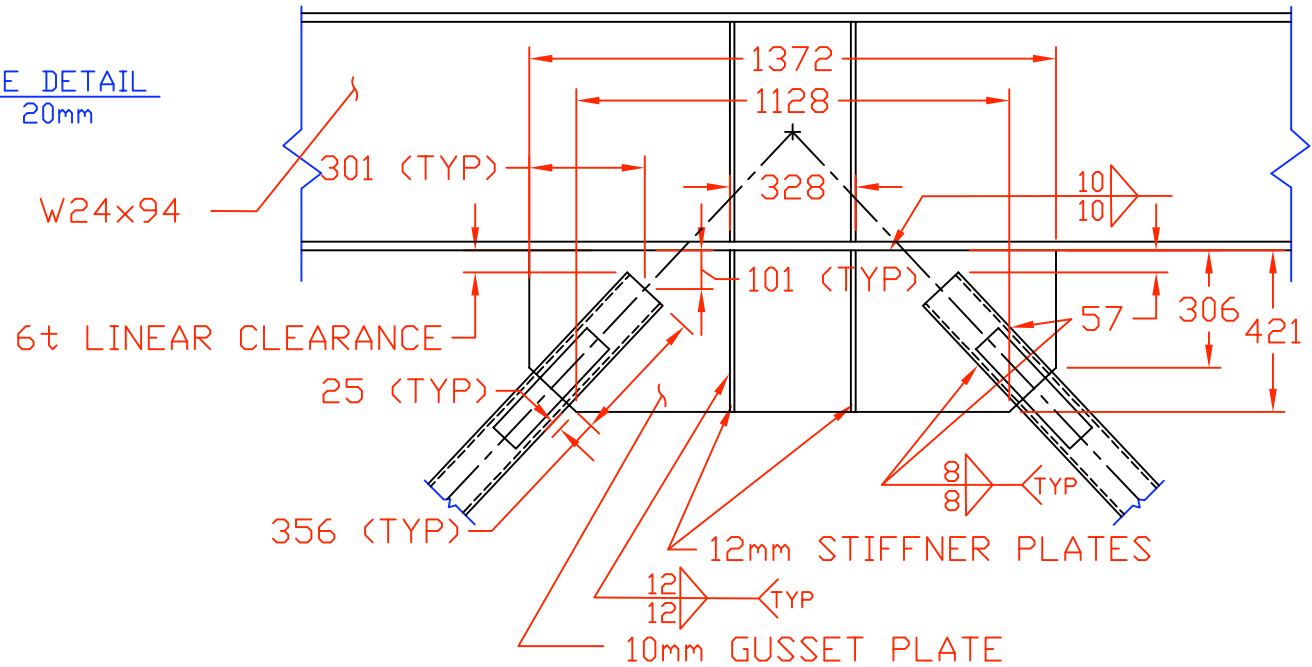


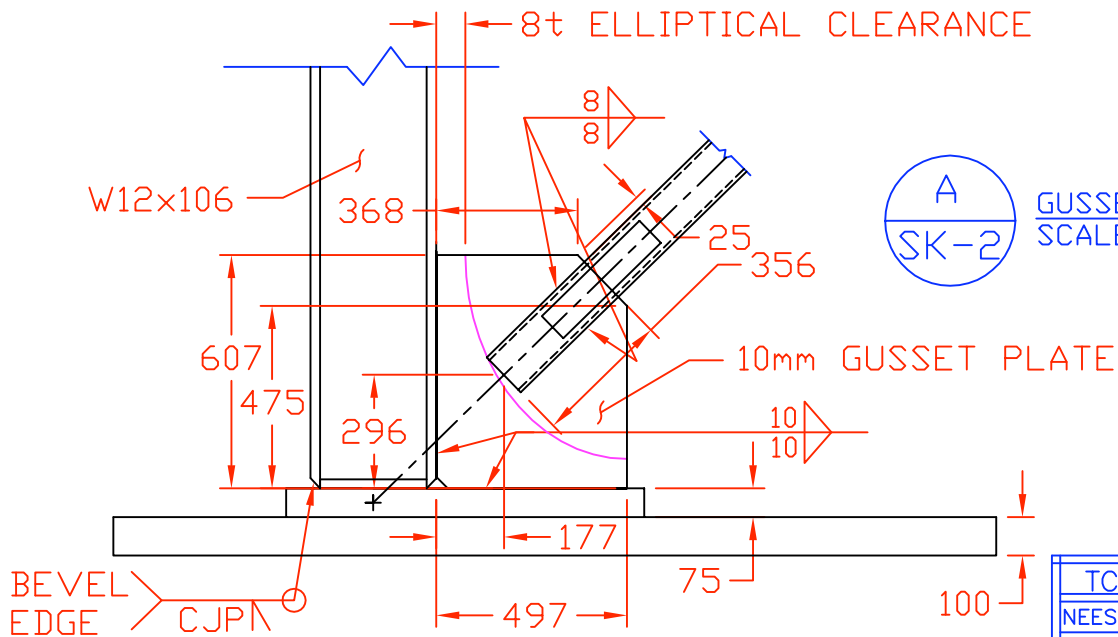
B  
SK-2

GUSSET PLATE DETAIL  
SCALE: 1mm = 20mm



A  
SK-2

GUSSET PLATE DETAIL  
SCALE: 1mm = 20mm



- NOTES:
- ALL PLATE STEEL A572 OR EQUIVALENT
  - ALL ROLLED SHAPES TO BE A992 OR EQUIVALENT
  - BRACE TO BE A500 B/C OR EQUIVALENT.
  - ALL WELDS TO SATISFY AISC DEMANDS CRITICAL AWS E71T8 OR EQUIVALENT
  - ALL BOLTS TO BE A490 OR EQUIVALENT WITH THREADS EXCLUDED FROM THE SHEAR PLANE

TCBF4 - TOMORROW'S CONCENTRIC BRACED FRAME 4	
NEES/SG NCREE BRACED FRAME TEST	
DRAWN BY: E.JL,KAC DESIGNED BY: E.JL CHECKED BY: CWR DATE: October 22, 2008 CONTACT: CROEDER@U.WASHINGTON.EDU	DWG: <b>SK-2</b>