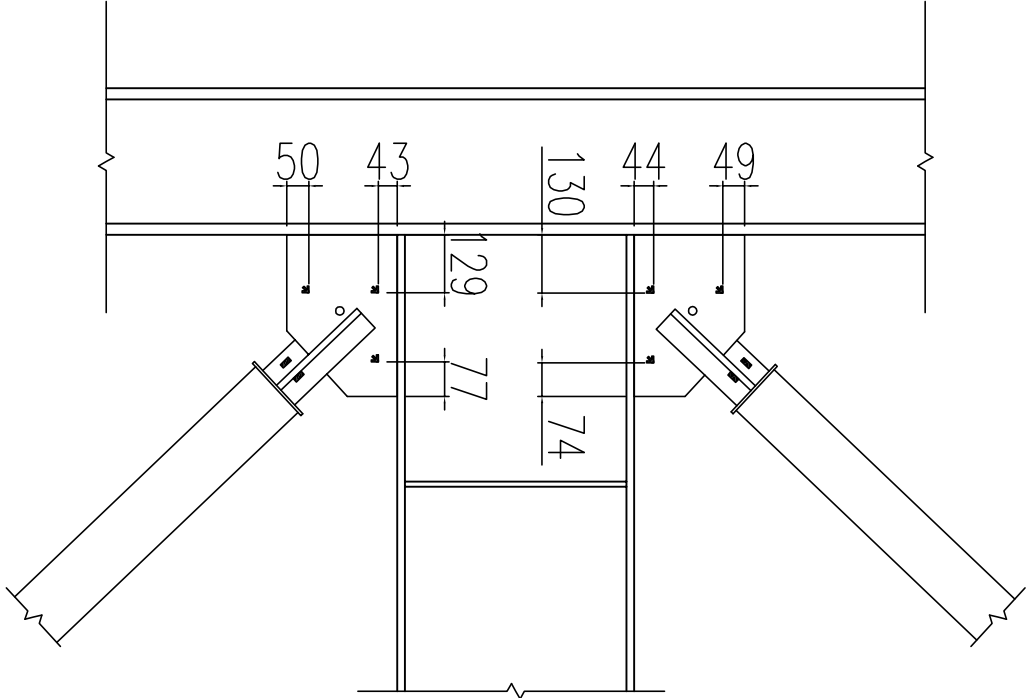


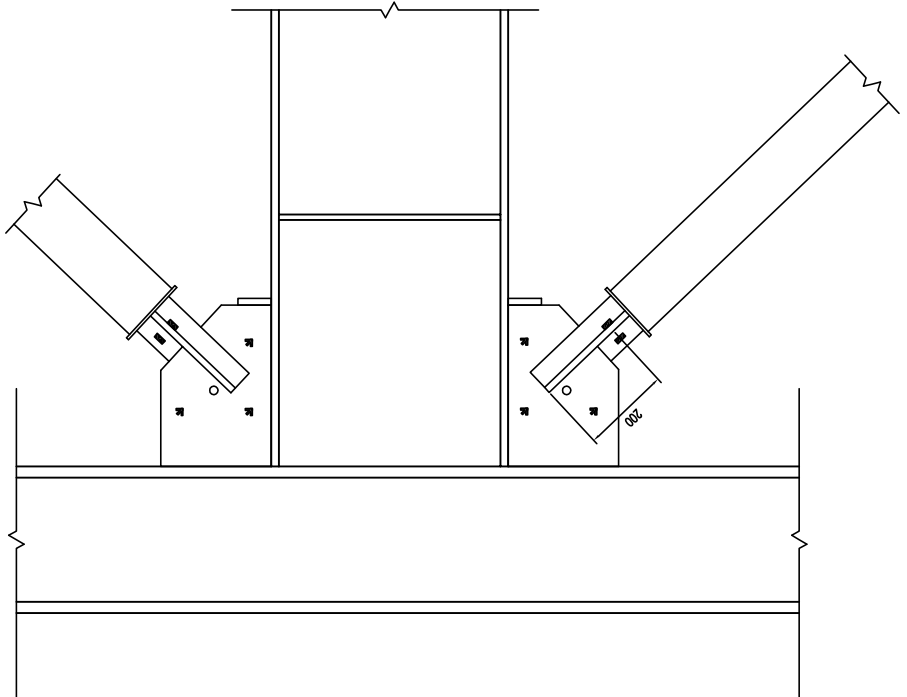
A
SG-3

Gusset Plate Detail



B
SG-3

Gusset Plate Detail



NOTES:
 CORE STEEL TO BE A572 GR50 OR EQUIVALENT
 OTHER PLATE STEEL TO BE A572 GR50 OR EQUIVALENT
 ALL WELDS TO SATISFY AISC DEMANDS CRITICAL AWS E71T8
 NCRREE Buckling-Restrained Braced Frame Pseudo Dynamic Test

design and draw: Pao-Chun Lin 林保均
 Date: 5/17/2010 Contact: r97521211@ntu.edu.tw

BRBF SG-3