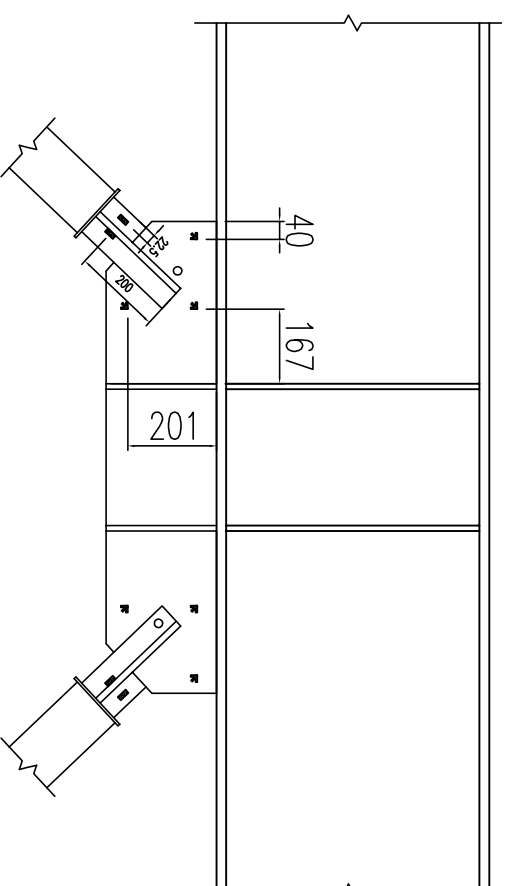


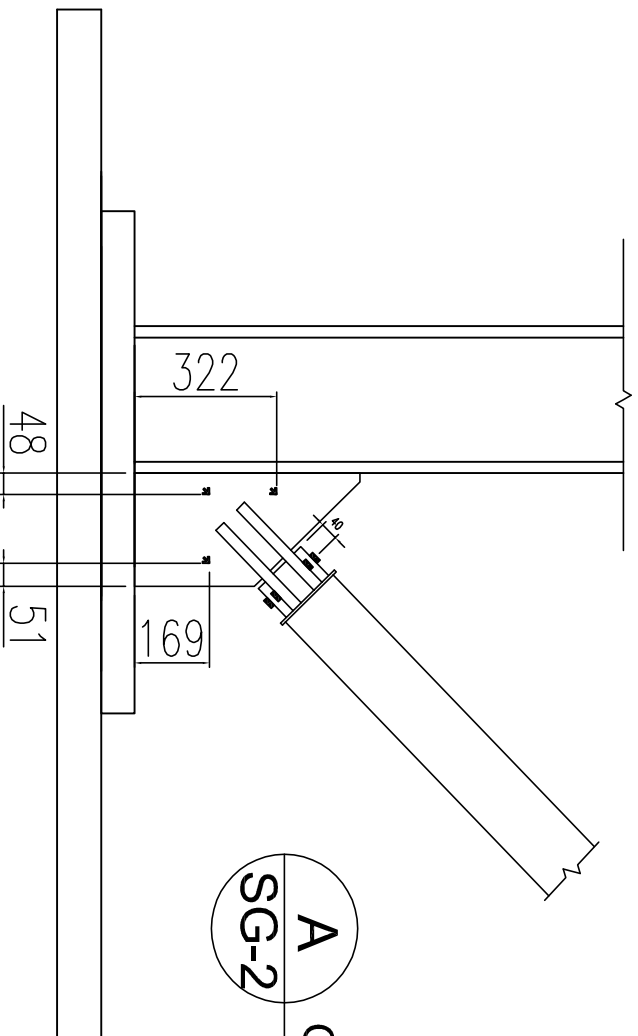
B
SG-2

Gusset Plate Detail



A
SG-2

Gusset Plate Detail



NOTES:

CORE STEEL TO BE A572 GR50 OR EQUIVALENT
OTHER PLATE STEEL TO BE A572 GR50 OR EQUIVALENT
ALL WELDS TO SATISFY AISC DEMANDS CRITICAL AWS E71T8

NCRREE Buckling-Restrained Braced Frame Pseudo Dynamic Test

design and draw: Pao-Chun Lin 林保均

Date: 5/17/2010 Contact: r97521211@ntu.edu.tw

BRBF SG-2