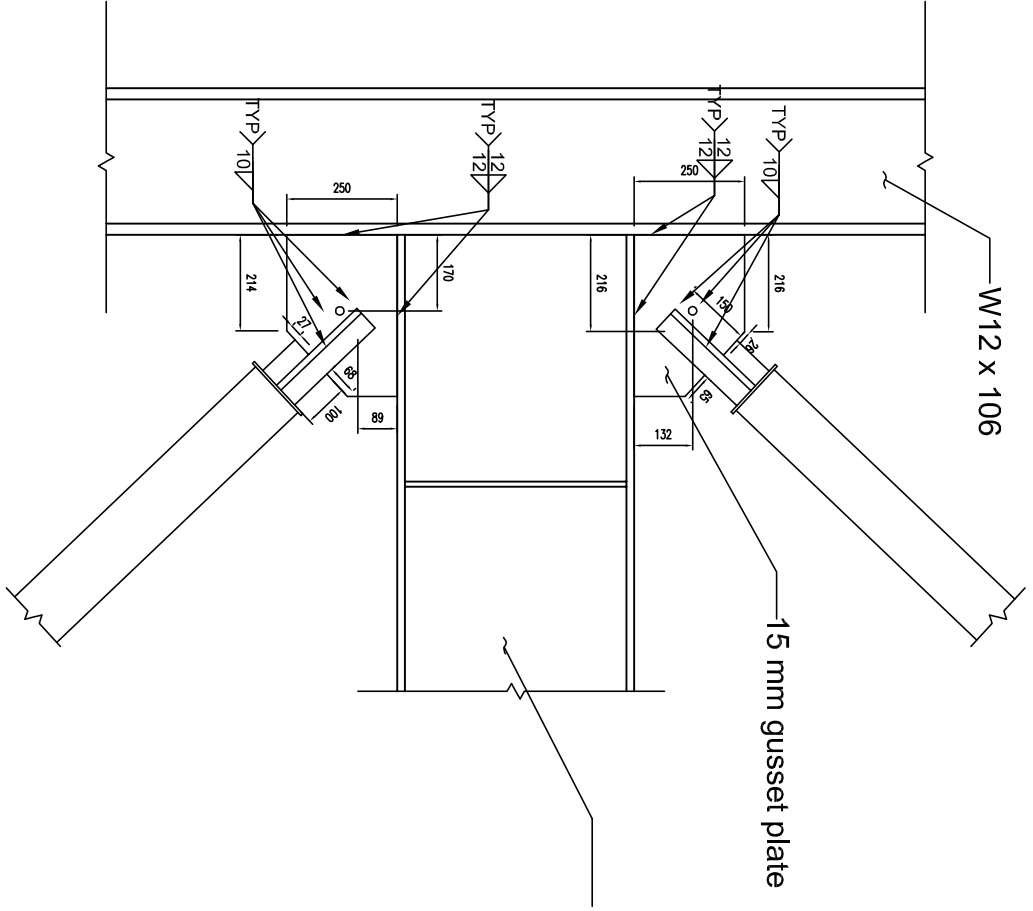


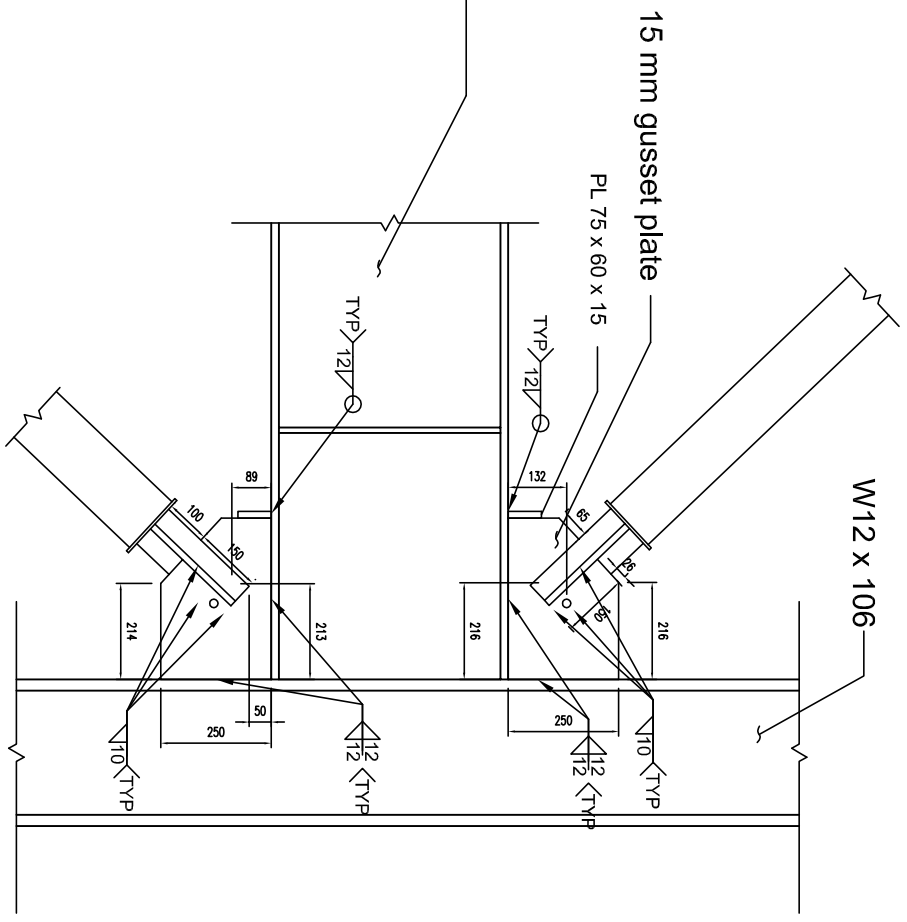
A
SK-3

Gusset Plate Detail



B
SK-3

Gusset Plate Detail



NOTES:
CORE STEEL TO BE A572 GR50 OR EQUIVALENT
OTHER PLATE STEEL TO BE A572 GR50 OR EQUIVALENT
ALL WELDS TO SATISFY AISC DEMANDS CRITICAL AWS E71T8

NCRREE Buckling-Restrained Braced Frame Pseudo Dynamic Test

design and draw: Pao-Chun Lin 林保均
Date: 5/17/2010 Contact: r97521211@ntu.edu.tw

BRBF SK-3