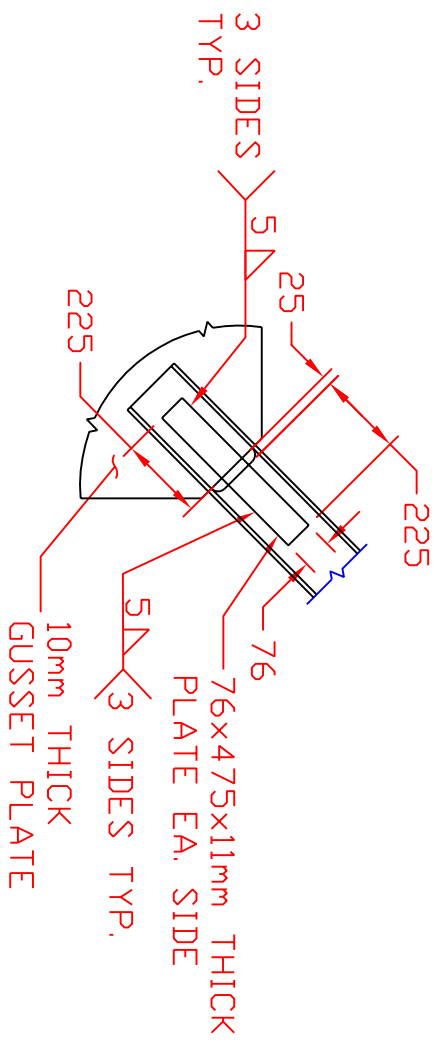
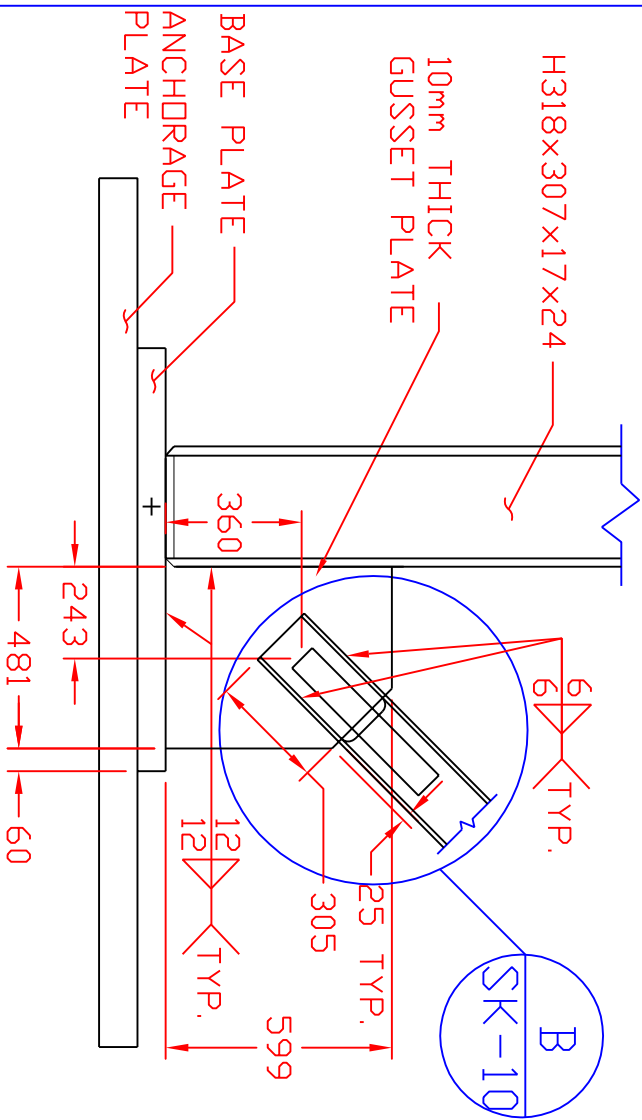


TYPICAL BRACE SLOT DETAIL
SCALE: 1mm = 20mm



WEB PLATE DETAIL
SCALE: 1mm = 20mm



EAST BASE PLATE AND GUSSET DETAIL
SCALE: 1mm = 20mm

NOTES:
 ALL PLATE STEEL A572 OR EQUIVALENT
 ALL ROLLED SHAPES TO BE A992 OR EQUIVALENT
 HSS TUBES TO BE A500 B/C OR EQUIVALENT.
 ALL WELDS TO SATISFY AISC DEMANDS CRITICAL AWS E718 OR EQUIVALENT

TCBF1 - TOMORROW'S CONCENTRIC BRACED FRAME 1	
NEES/SG NCREET BRACED FRAME TEST	
DRAWN BY: JAP	DATE: NOVEMBER 5, 2007
DESIGNED BY: JAP	CONTACT: GROEDER@U.WASHINGTON.EDU
CHECKED BY: KAC	
DWC:	
SK-10	