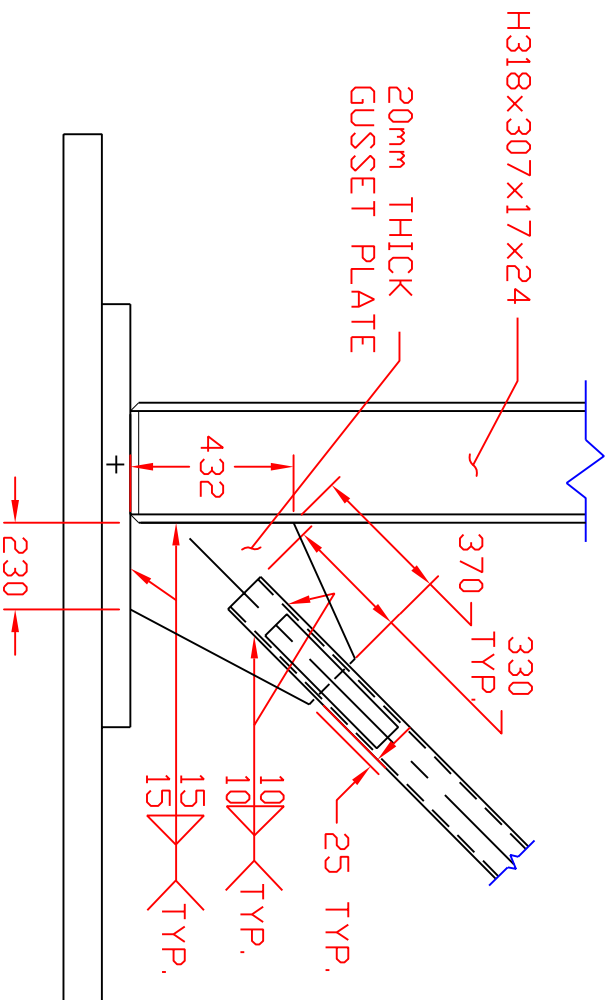
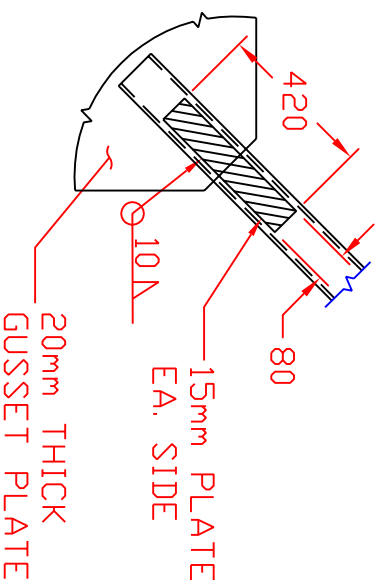


TYPICAL BRACE SLOT DETAIL
SCALE: 1mm = 20mm



EAST BASE PLATE AND GUSSET DETAIL
SCALE: 1mm = 20mm

A
SK-13



B
SK-13
NET SECTION REINF.
SCALE: 1mm = 20mm

NOTES:
ALL PLATE STEEL A572 OR EQUIVALENT
ALL ROLLED SHAPES TO BE A992 OR EQUIVALENT
BRACE TO BE A500 B/C OR EQUIVALENT.
ALL WELDS TO SATISFY AISC DEMANDS CRITICAL AWS E718 OR EQUIVALENT

TCBF1 - TOMORROW'S CONCENTRIC BRACED FRAME 1

NEES/SG NCGREE BRACED FRAME TEST - PHASE III

DRAWN BY: KAC
DESIGNED BY: KAC
CHECKED BY: JAP
DATE: JANUARY 28, 2008
CONTACT: GROEDER@U.WASHINGTON.EDU

DATE:

SK-13