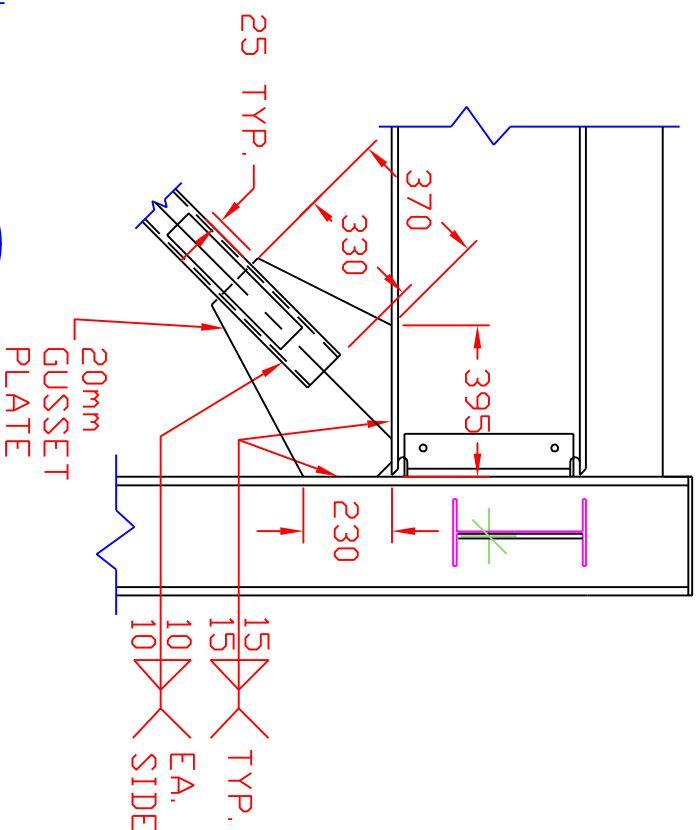


A
SK-12

GUSSET PLATE DETAIL
SCALE: 1mm = 20mm



B
SK-12

GUSSET PLATE DETAIL
SCALE: 1mm = 20mm

NOTES:
 ALL PLATE STEEL A572 DR EQUIVALENT
 ALL ROLLED SHAPES TO BE A992 DR EQUIVALENT
 BRACE TO BE A500 B/C DR EQUIVALENT.
 ALL WELDS TO SATISFY AISC DEMANDS CRITICAL AWS E71T8 DR EQUIVALENT

TCBF1 - TOMORROW'S CONCENTRIC BRACED FRAME 1	
NEES/SG NCGREE BRACED FRAME TEST - PHASE III	
DRAWN BY: KAC	DATE: JANUARY 28, 2007
DESIGNED BY: KAC	CONTACT: GROEDER@U.WASHINGTON.EDU
CHECKED BY: JAP	
DWG: SK-12	