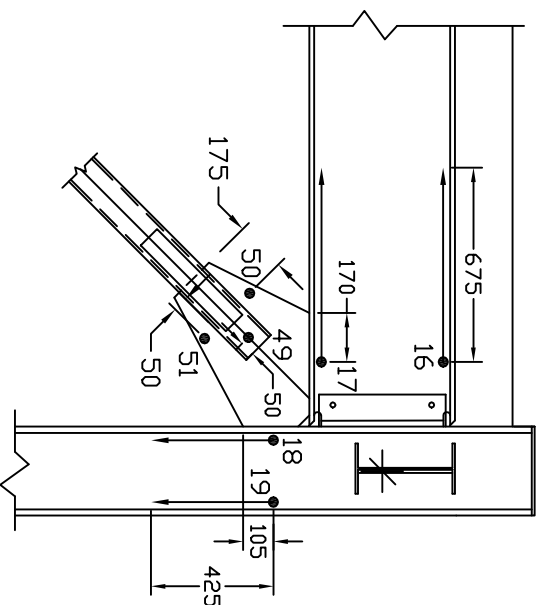
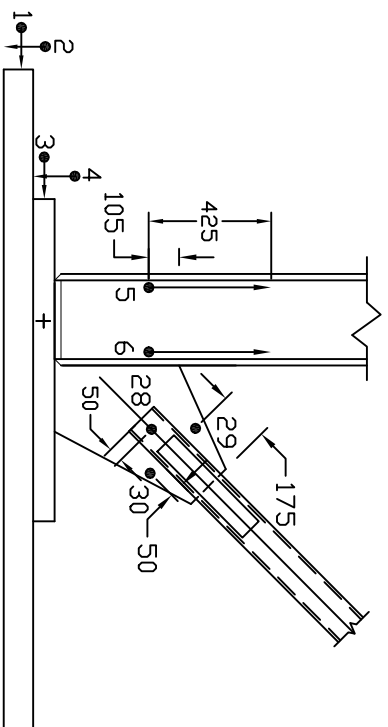


CENTER GUSSET PLATE



UPPER GUSSET PLATE, TYP.



LOWER GUSSET PLATE, TYP.

GUSSET PLATE DETAILS
SCALE: NTS

TCBF1-TG: TOMORROW'S CONCENTRIC BRACED FRAME 1	
NEES/SG NCGREE BRACED FRAME TEST INSTRUMENTATION DRAWINGS	
DRAWN BY: JAP	DWG: IN-9
DESIGNED BY: KAC & JAP	
CHECKED BY: KAC	
DATE: APRIL 2, 2008	
CONTACT: GROEDER@U.WASHINGTON.EDU	