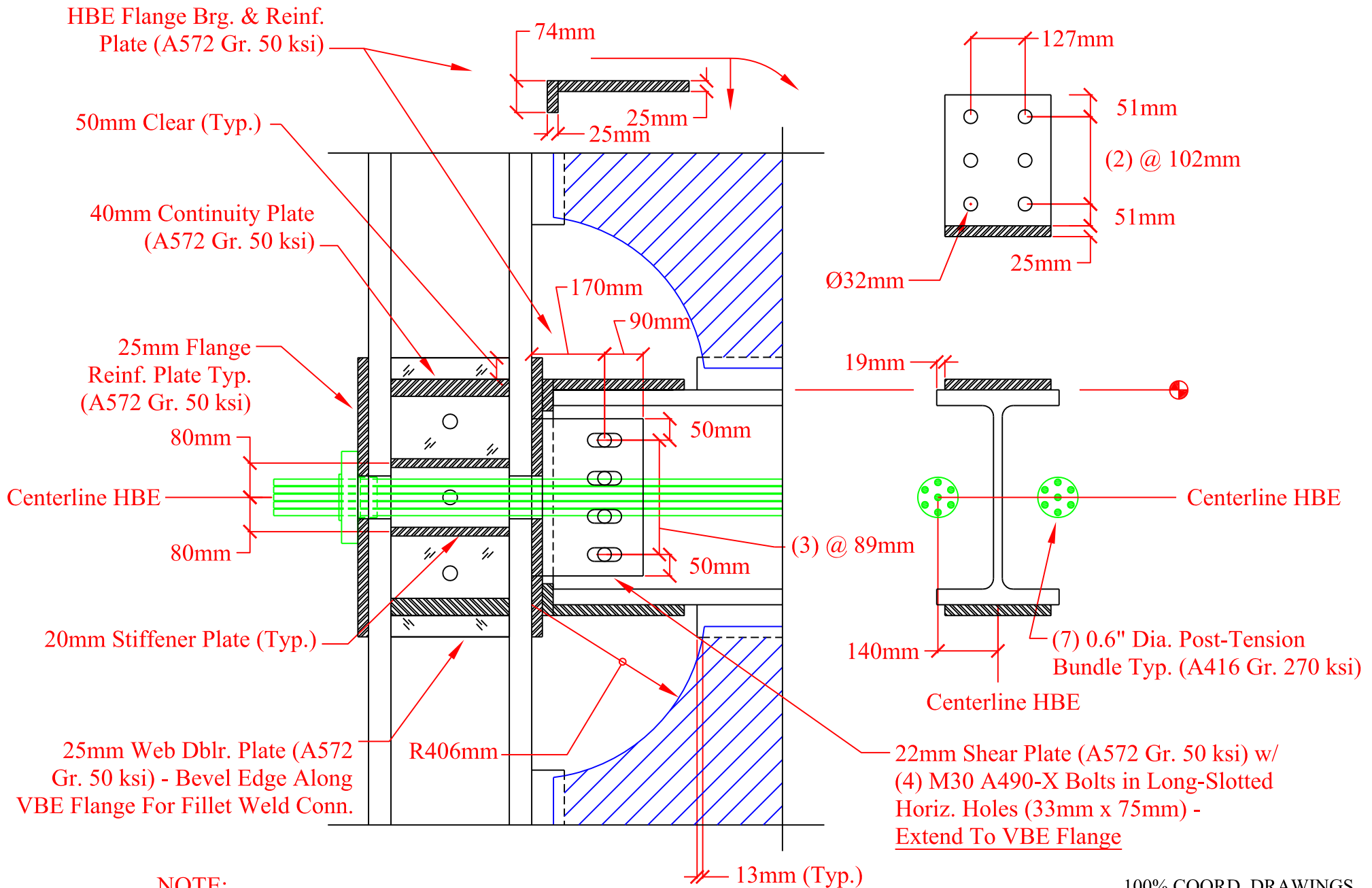


100% COORD. DRAWINGS

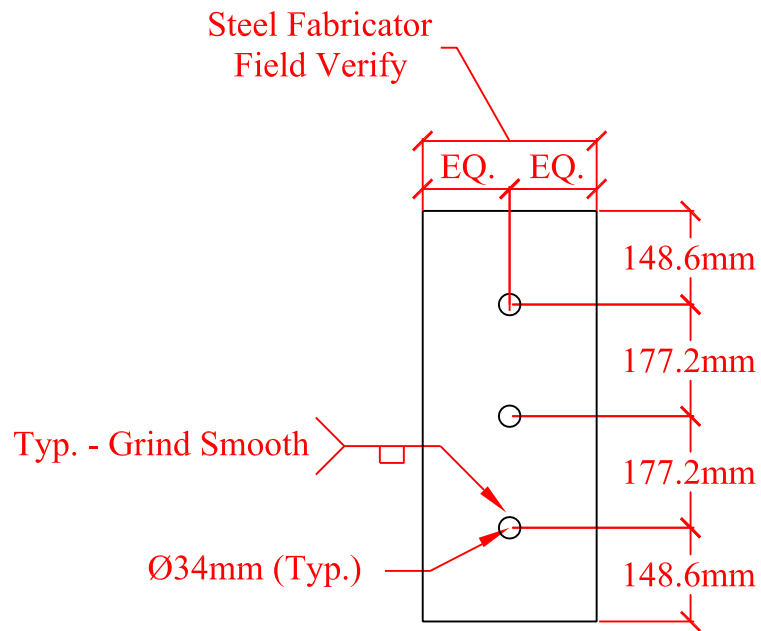
University at Buffalo / University of Washington			DRWG: 1/FR
PROJECT: NCREE Testing SC-SPSW		CONTENT: Flange Rocking Frame	
BY: Daniel M. Dowden	REVISION:	DATE: 5/11/2012	SCALE: 1/4" = 1'-0"



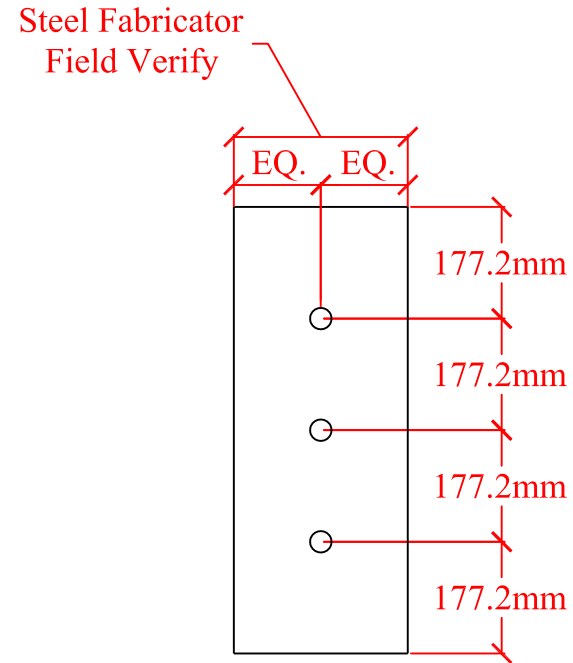
NOTE:
For Weld Details See 2a Alt/FR

100% COORD. DRAWINGS

University at Buffalo / University at Washington			DRWG:
PROJECT: NCREE Testing SC-SPSW		CONTENT: Flange Rocking Joint Detail	2Alt/FR
BY: Daniel M. Dowden	REVISION:	DATE: 5/11/2012	SCALE: 1" = 1'-0"



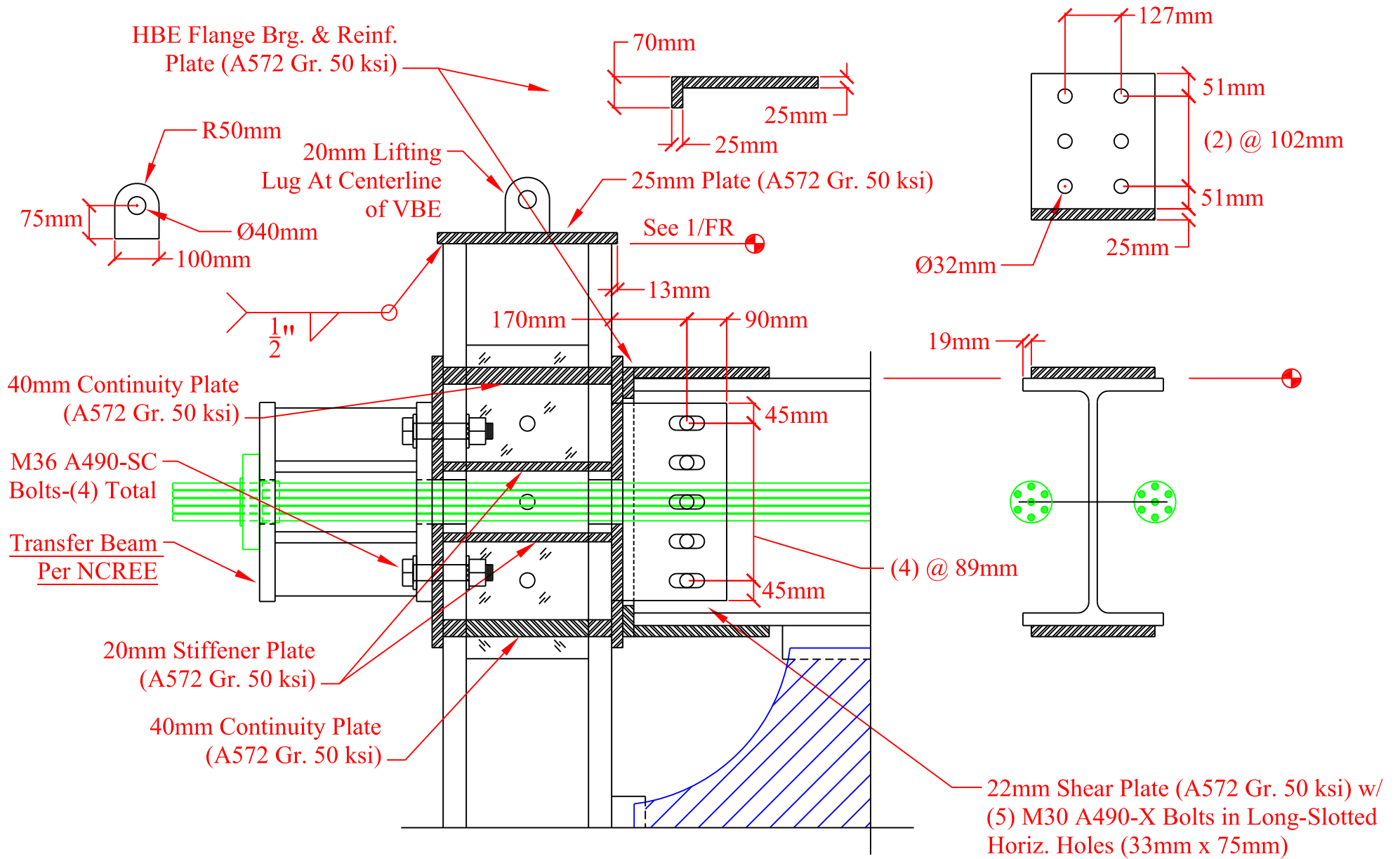
VBE Web Dblr at W18x158



VBE Web Dblr at W21x147 (Both Ends)

100% COORD. DRAWINGS

University at Buffalo / University of Washington			DRWG:
PROJECT: NCREE Testing SC-SPSW		CONTENT: Flange Rocking Joint Detail	2b Alt/FR
BY: Daniel M. Dowden	REVISION:	DATE: 5/11/2012	SCALE: 1" = 1'-0"



NOTE:
 For Details and Callouts in
 Common See 2 Alt/FR

100% COORD. DRAWINGS

University at Buffalo / University of Washington			DRWG:
PROJECT: NCREE Testing SC-SPSW		CONTENT: Flange Rocking Joint Detail	3/FR
BY: Daniel M. Dowden	REVISION:	DATE: 5/11/2012	SCALE: 1" = 1'-0"

Cont. 6mm x 75mm Fish Plate (Typ.)
(Centerline To Match HBE Centerline)

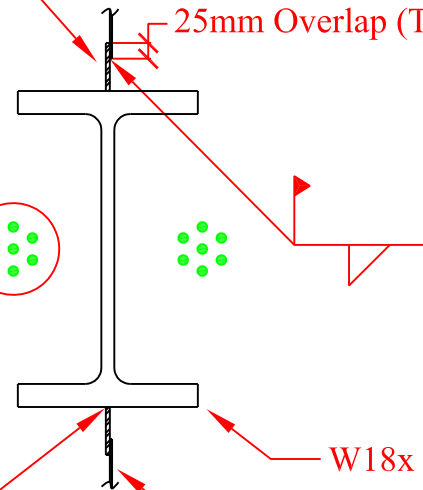
25mm Overlap (Typ.)

Post-Tension (Typ.)

W18x HBE

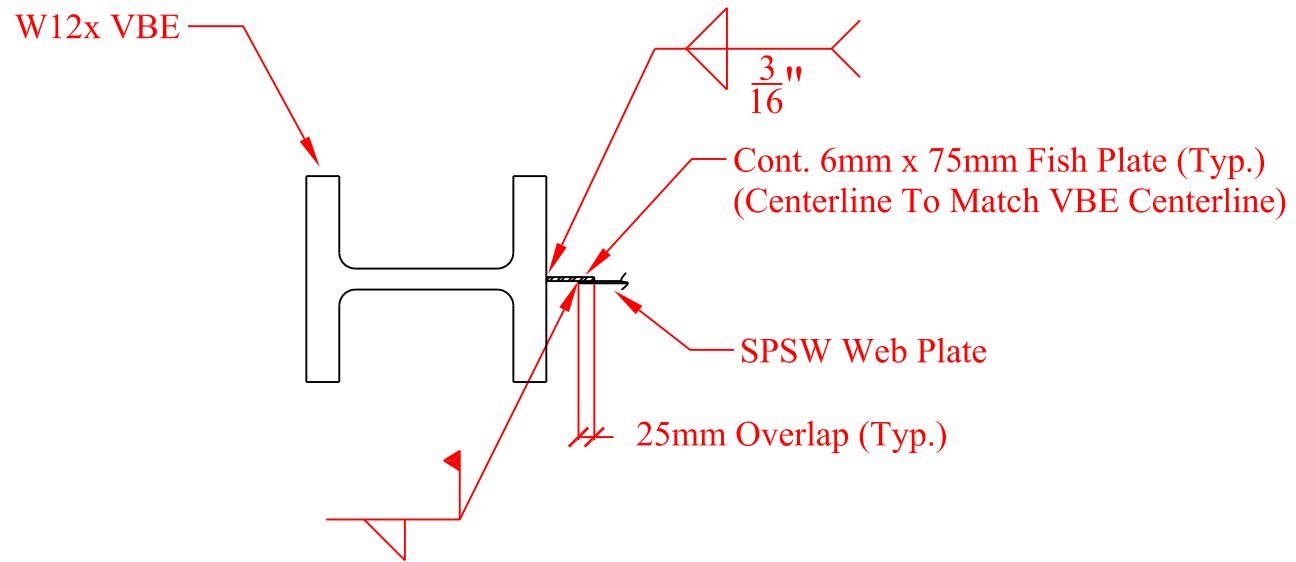
SPSW Web Plate (Typ.)

Typ. $\frac{3''}{16}$



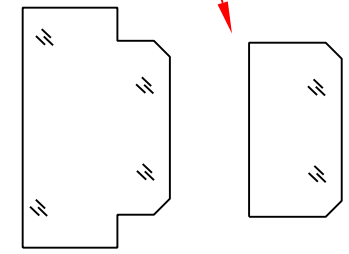
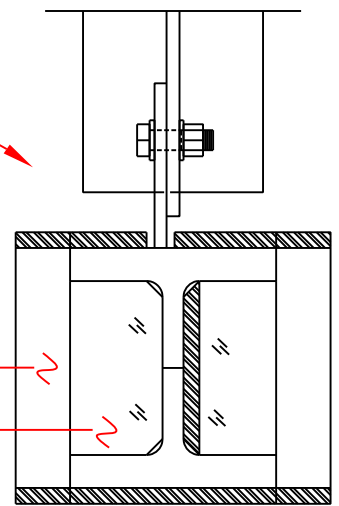
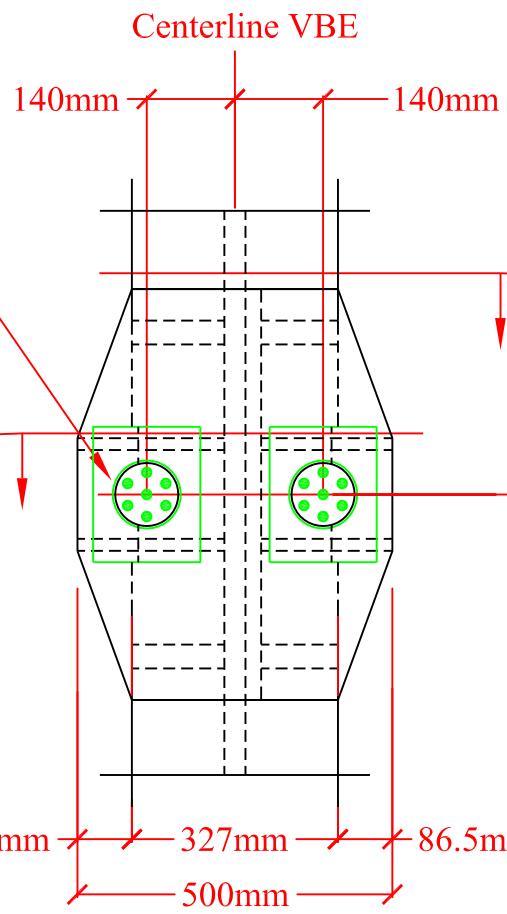
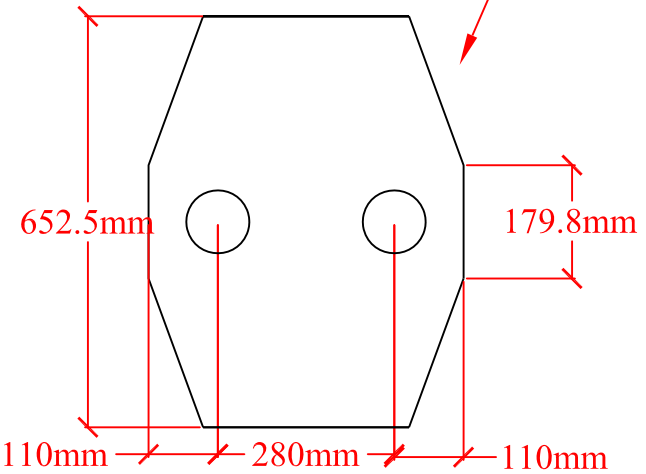
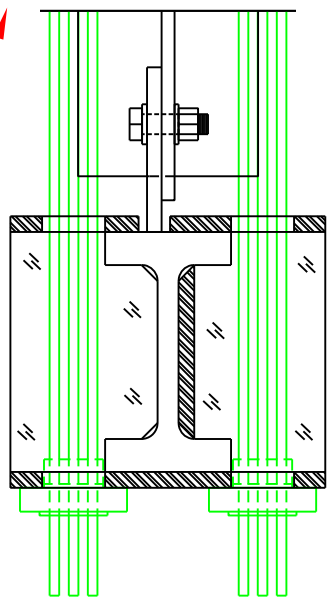
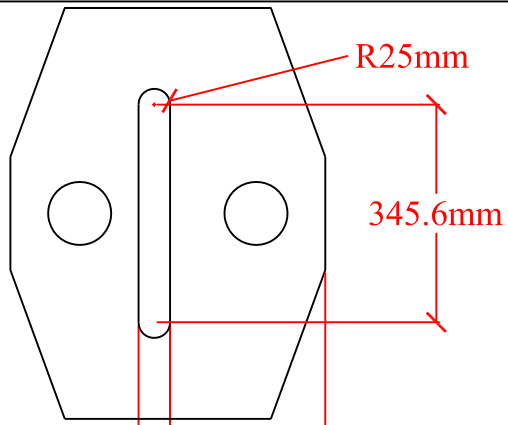
100% COORD. DRAWINGS

University at Buffalo / University of Washington			DRWG:
PROJECT: NCREE Testing SC-SPSW		CONTENT: HBE Section Detail	4/FR
BY: Daniel M. Dowden	REVISION:	DATE: 5/11/2012	SCALE: 1" = 1'-0"



100% COORD. DRAWINGS

University at Buffalo / University of Washington			DRWG:
PROJECT: NCREE Testing SC-SPSW		CONTENT: VBE Plan Section	5/FR
BY: Daniel M. Dowden	REVISION:	DATE: 5/11/2012	SCALE: $1\frac{1}{2}'' = 1'-0''$



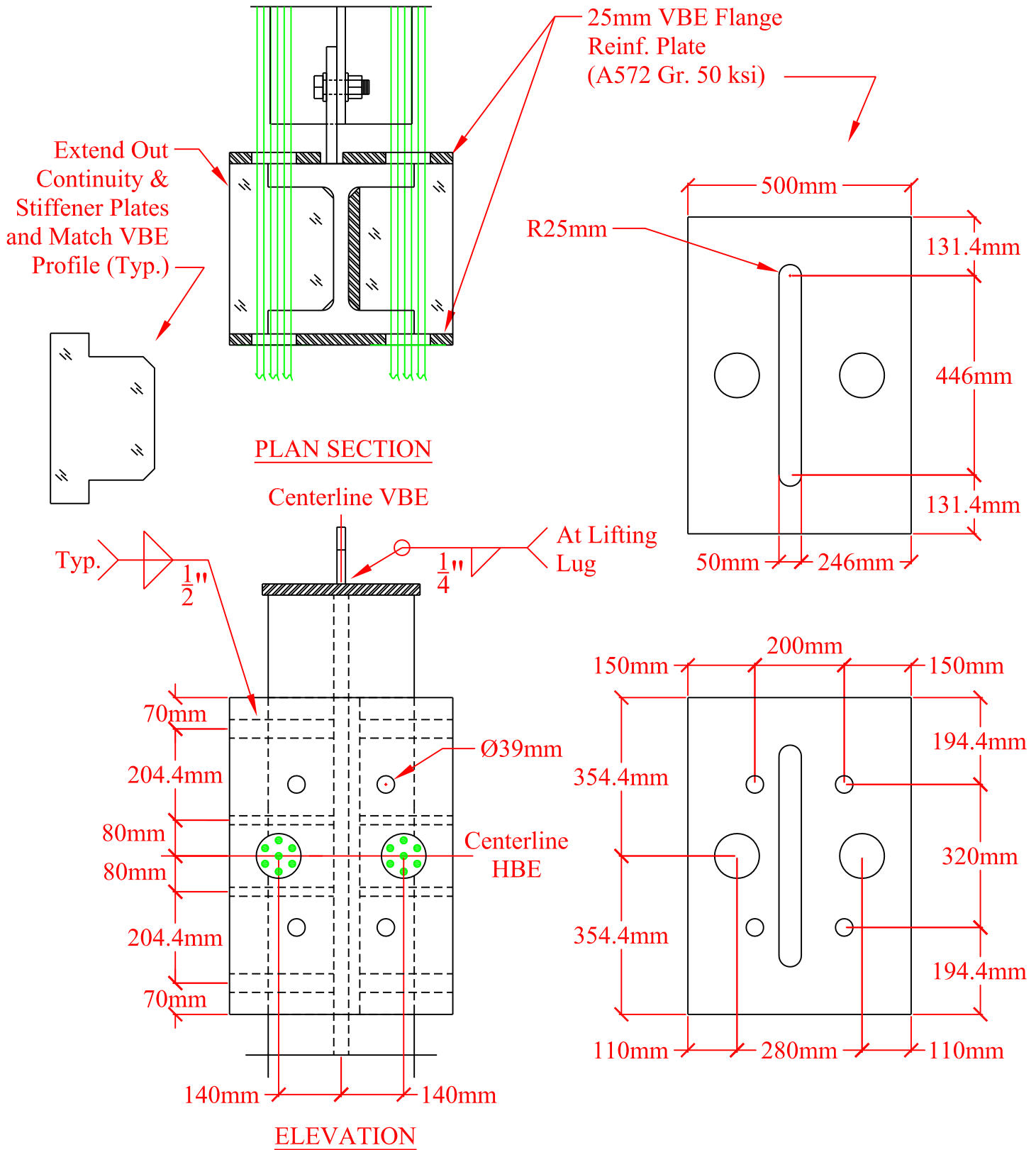
Ø100mm Hole (Typ.)

Centerline W18x HBE

25mm Flange Reinf. Plate Typ. (A572 Gr. 50 ksi)

100% COORD. DRAWINGS

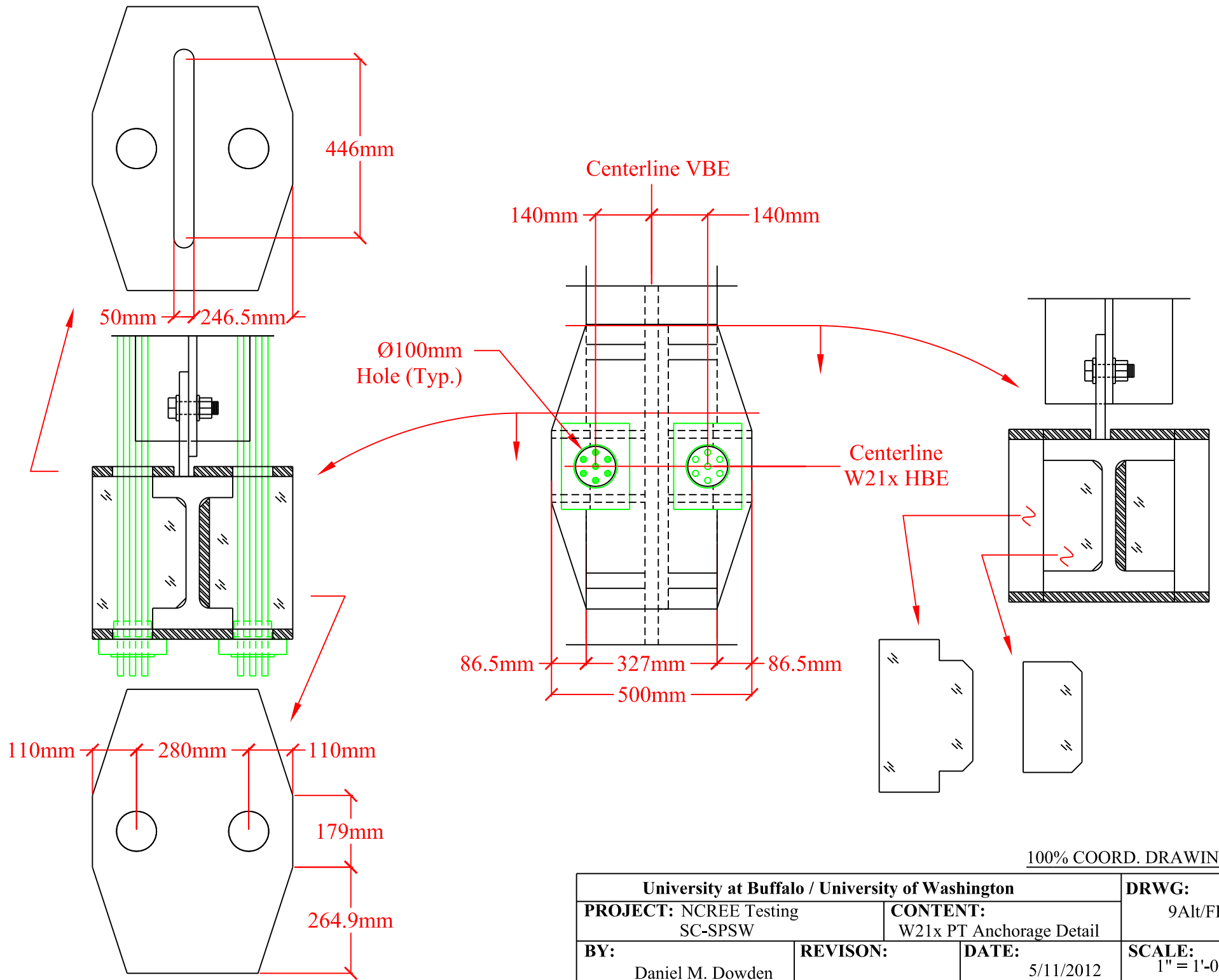
University at Buffalo / University of Washington			DRWG:
PROJECT: NCREE Testing SC-SPSW		CONTENT: W18x PT Anchorage Detail	7Alt/FR
BY: Daniel M. Dowden	REVISION:	DATE: 5/11/2012	SCALE: 1" = 1'-0"



NOTE:
For VBE Panel Zone
Welds See 2a Alt/FR

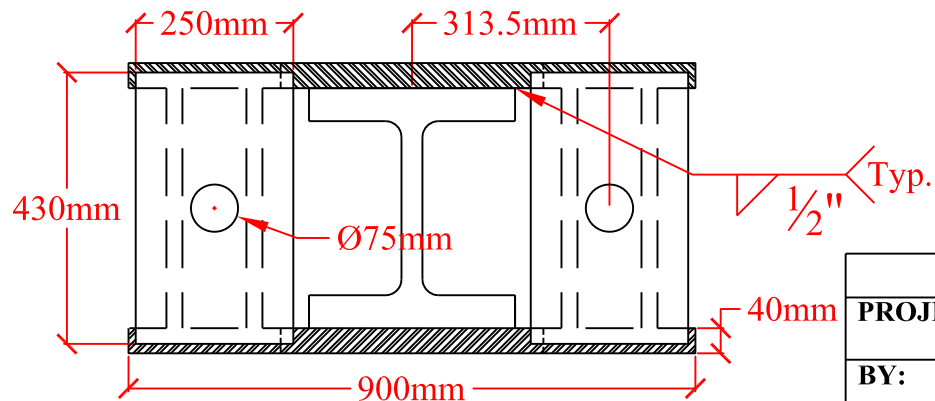
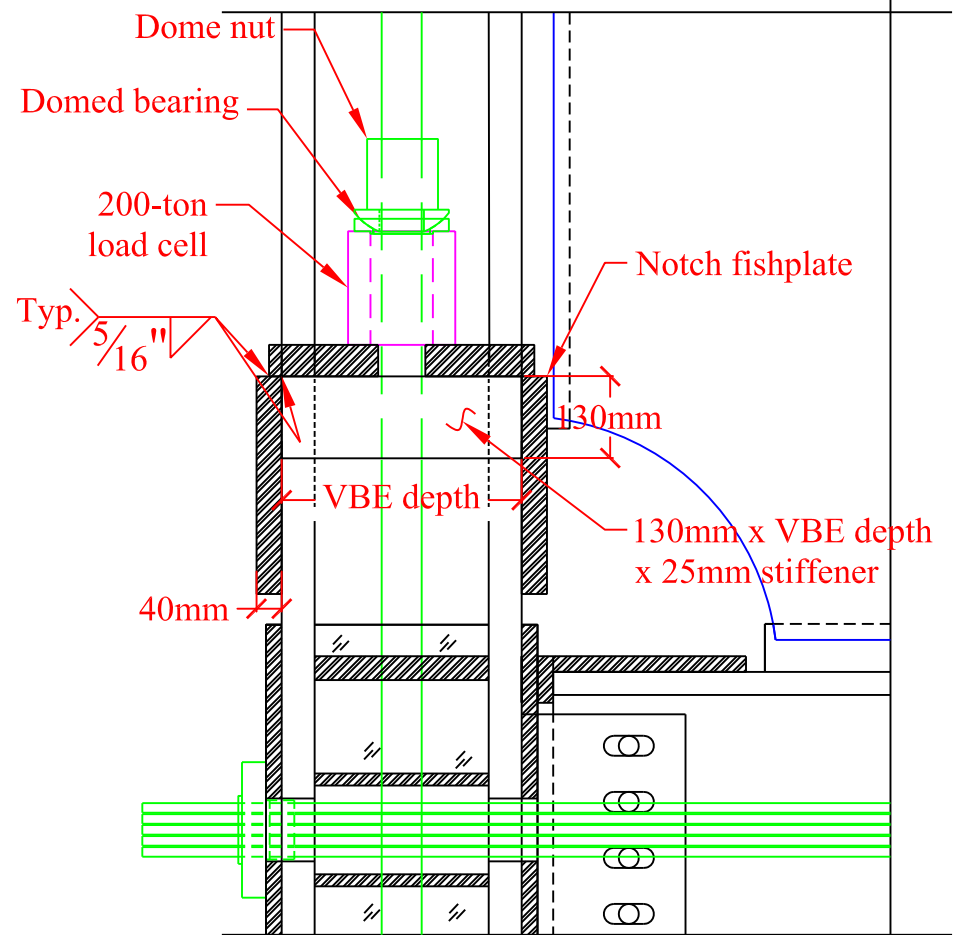
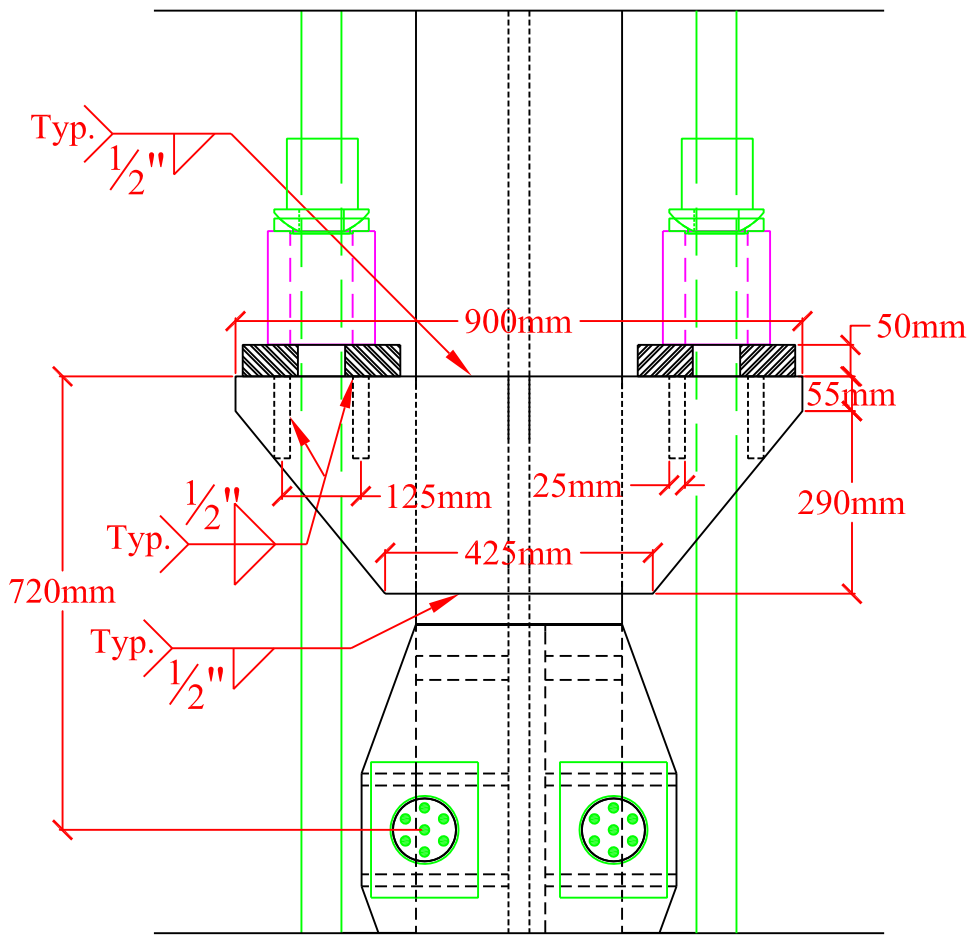
100% COORD. DRAWINGS

University at Buffalo / University of Washington			DRWG:
PROJECT: NCREE Testing SC-SPSW		CONTENT: Actuator Conn. To VBE	8/FR
BY: Daniel M. Dowden	REVISION:	DATE: 5/11/2012	SCALE: 1" = 1'-0"



100% COORD. DRAWINGS

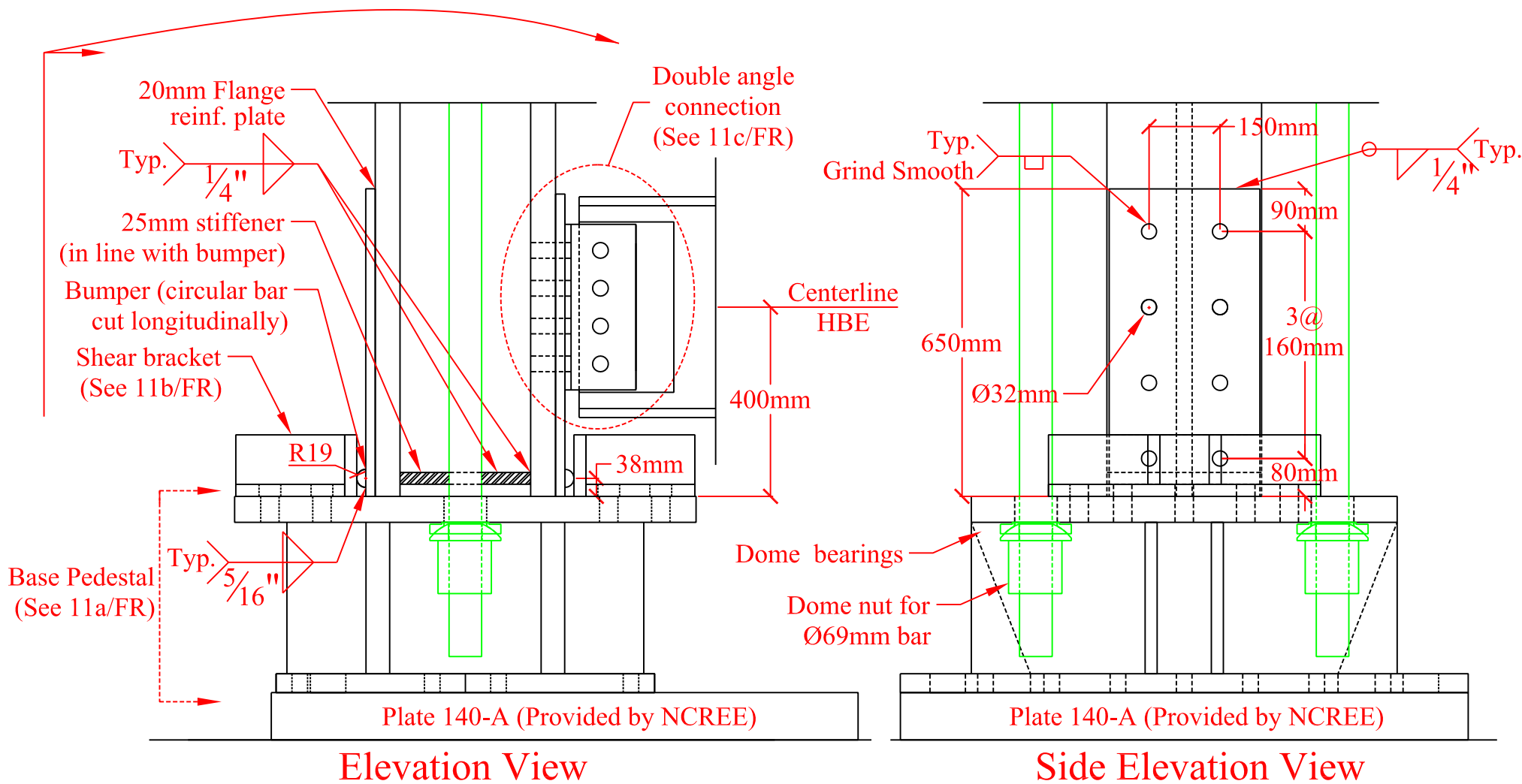
University at Buffalo / University of Washington			DRWG:
PROJECT: NCREE Testing SC-SPSW		CONTENT: W21x PT Anchorage Detail	9Alt/FR
BY: Daniel M. Dowden	REVISION:	DATE: 5/11/2012	SCALE: 1" = 1'-0"



NOTE: All plates are Gr. 50 unless noted otherwise.

100% COORD. DRAWINGS

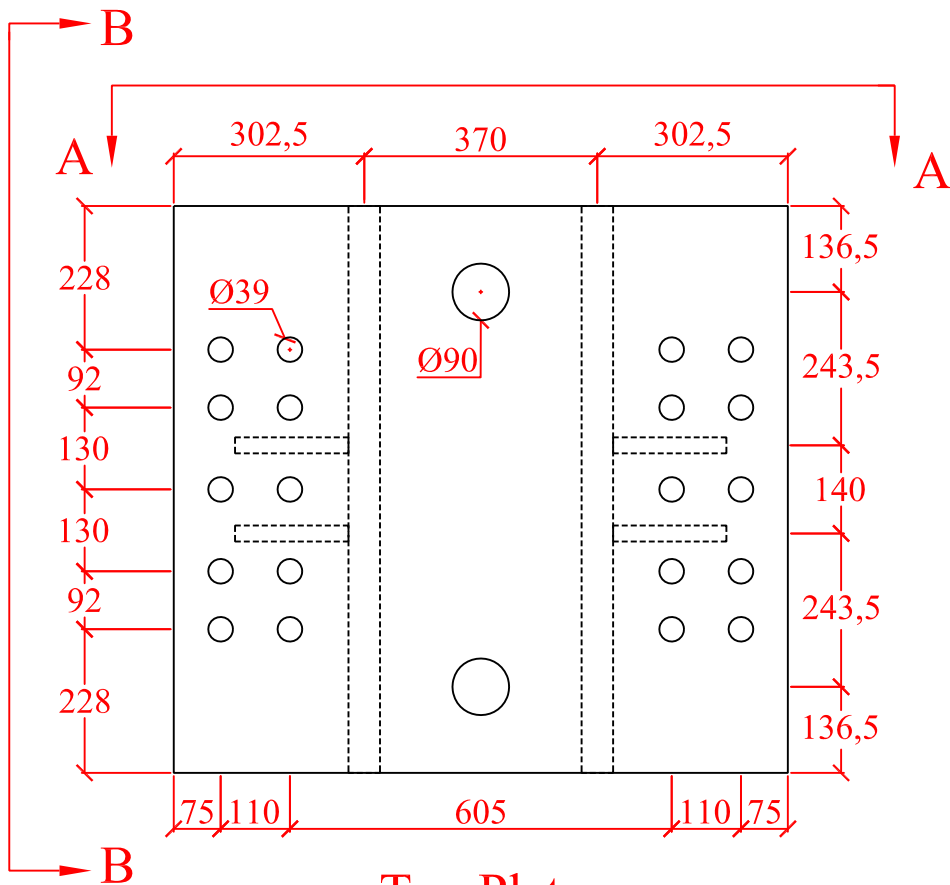
University at Buffalo / University of Washington			DRWG:
PROJECT: NCREE Testing SC-SPSW		CONTENT: VBE PT Anchorage Detail (alt.)	10Alt/FR
BY: Tricia Clayton	REVISION:	DATE: 5/11/2012	SCALE: 1" = 1'-0"



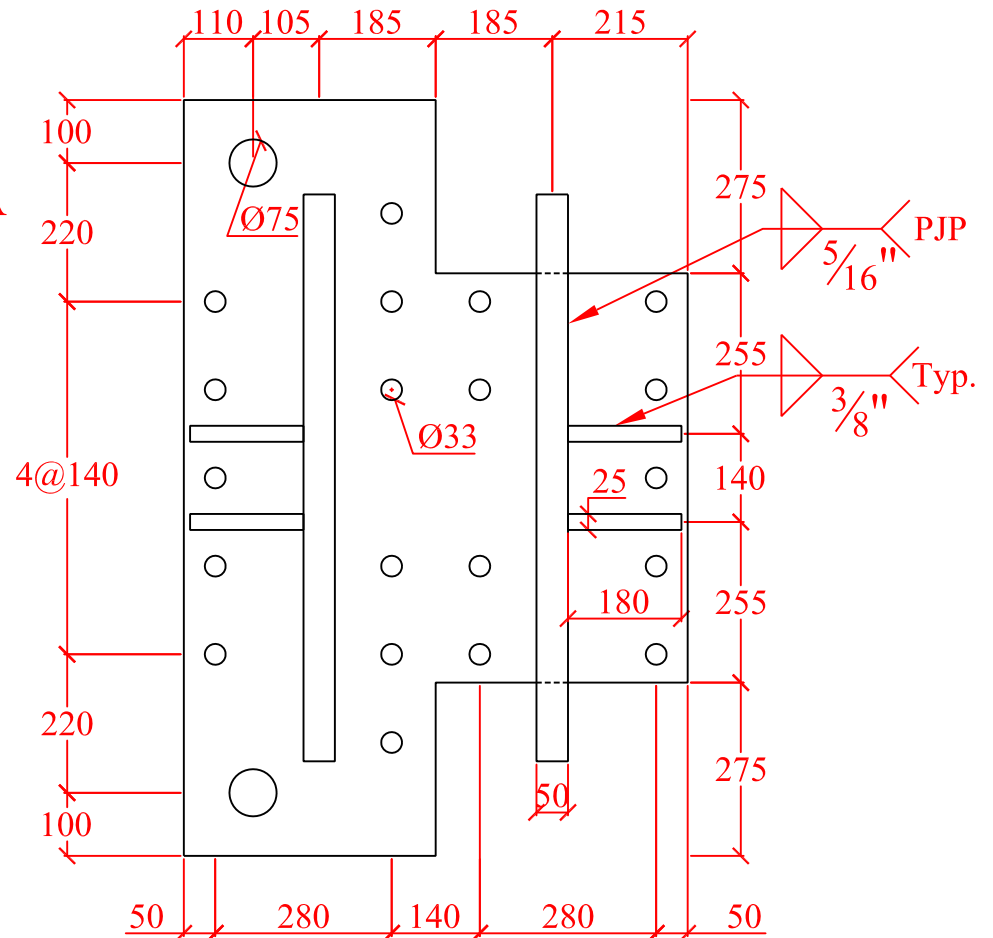
NOTE: All plates are Gr. 50 unless noted otherwise.

100% COORD. DRAWINGS

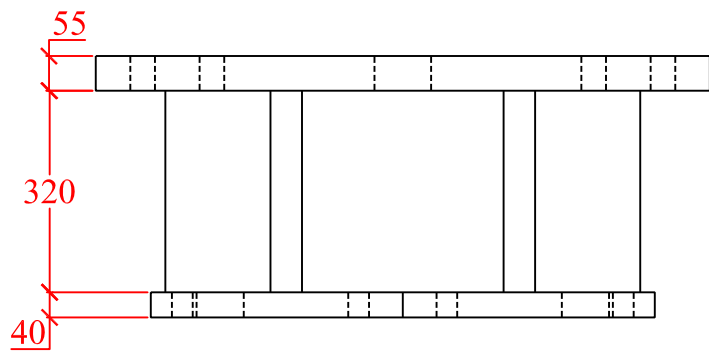
University at Buffalo / University of Washington			DRWG:
PROJECT: NCREE Testing SC-SPSW		CONTENT: VBE Base Detail	11/FR
BY: Tricia Clayton	REVISION:	DATE: 5/11/2012	SCALE: 1" = 1'-0"



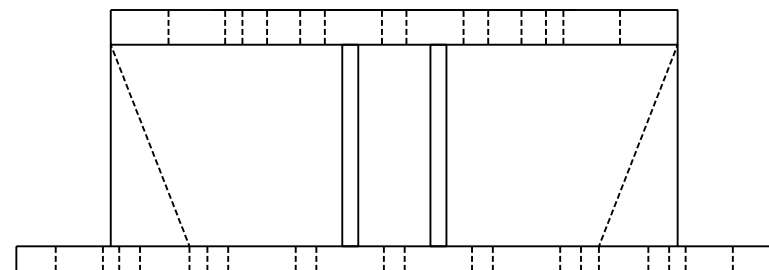
Top Plate



Bottom Plate



Section A-A

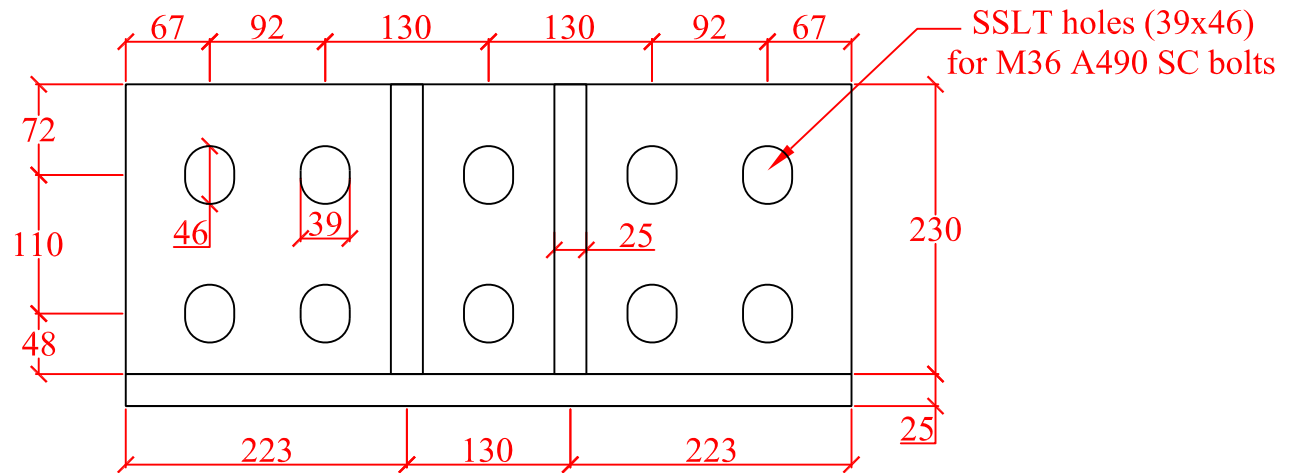
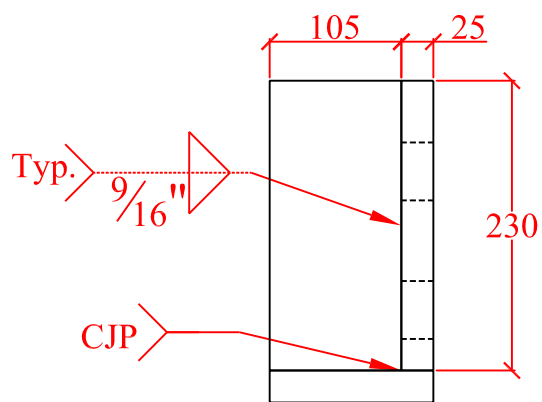


Section B-B

100% COORD. DRAWINGS

NOTE: All plates are Gr. 50 unless noted otherwise.

University at Buffalo / University of Washington			DRWG:
PROJECT: NCREE Testing SC-SPSW		CONTENT: VBE Base Detail (cont.)	11a/FR
BY: Tricia Clayton	REVISION:	DATE: 5/11/2012	SCALE: 1" = 1'-0"

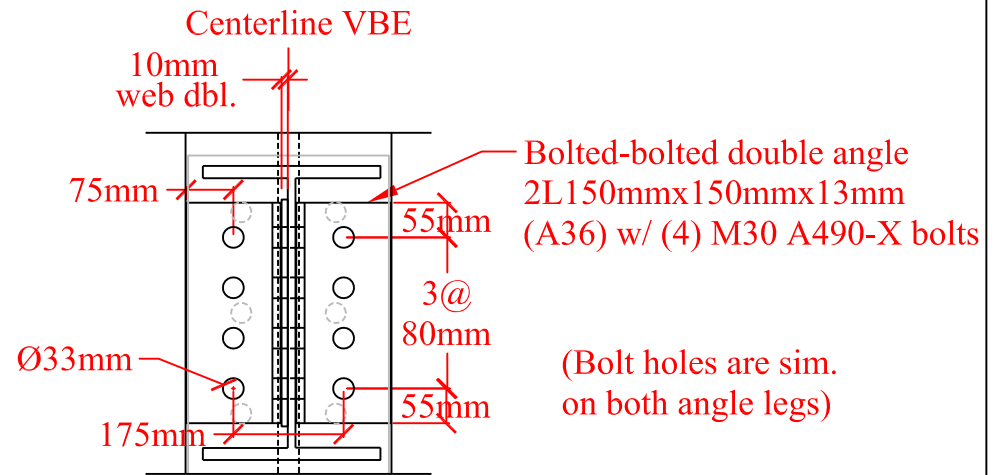
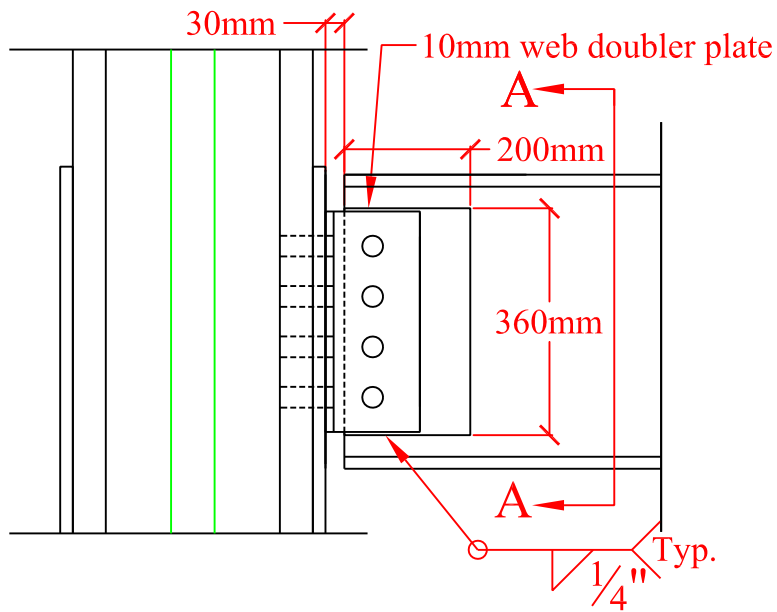


Shear Bracket

NOTE: All plates are Gr. 50 unless noted otherwise.

100% COORD. DRAWINGS

University at Buffalo / University of Washington			DRWG:
PROJECT: NCREE Testing SC-SPSW		CONTENT: VBE Base Detail (cont.)	11b/FR
BY: Tricia Clayton	REVISION:	DATE: 5/11/2012	SCALE: 2" = 1'-0"



Section A-A

NOTE: 20mm VBE flange reinf. plate and plug welds shown in lighter color (See 11/FR)

NOTE: All plates are Gr. 50 unless noted otherwise.

100% COORD. DRAWINGS

University at Buffalo / University of Washington			DRWG:
PROJECT: NCREE Testing SC-SPSW		CONTENT: VBE Base Detail (cont.)	11c/FR
BY: Tricia Clayton	REVISION:	DATE: 5/11/2012	SCALE: 1" = 1'-0"