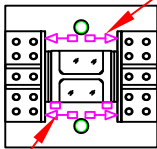


2 LPs to measure slip/
rotation of shear brackets



LPs to measure
VBE rocking

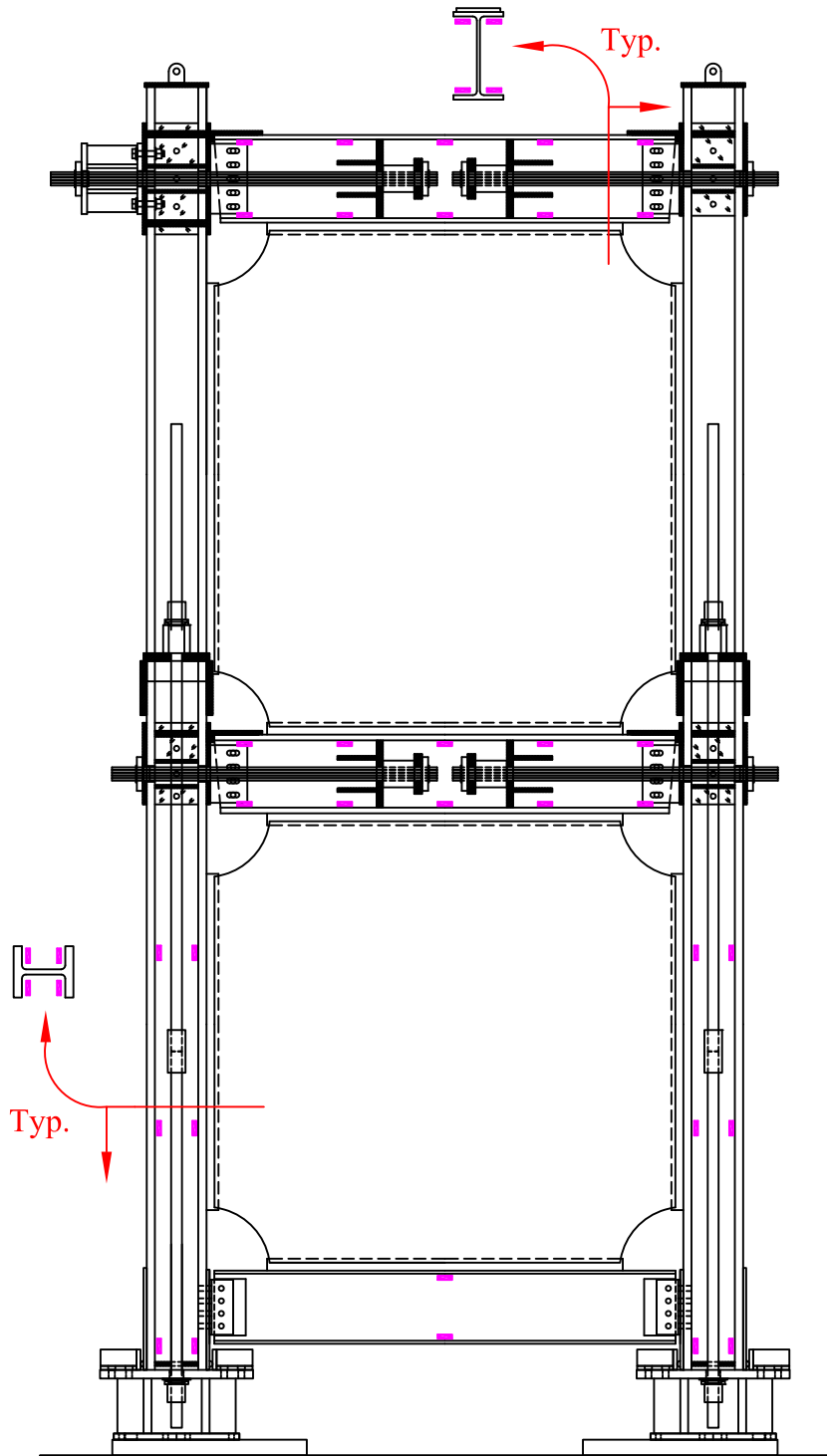
Typ.

LEGEND:

- ▷ LP - Linear Pot (Qty. = 32)
- ▷ SP - String Pot (Qty. = 14)

Preliminary For Coordination

University at Buffalo / University of Washington			DRWG:
PROJECT: NCREE Testing SC-SPSW		CONTENT: NZ Frame - Displ. Transducers	1/NZ-I
BY: Daniel M. Dowden	REVISION:	DATE: 5/30/2012	SCALE: 1/4" = 1'-0"



LEGEND:

- Uniaxial Strain Gage (SG)
(Quantity = 68)

NOTE:

Strain Gages Should Be
Self-Temperature-Compensated
Type Gages

Preliminary For Coordination

University at Buffalo / University of Washington			DRWG: 2/NZ-I
PROJECT: NCREE Testing SC-SPSW		CONTENT: NZ Frame - Strain Gages	
BY: Daniel M. Dowden	REVISION:	DATE: 5/30/2012	SCALE: 1/4" = 1'-0"