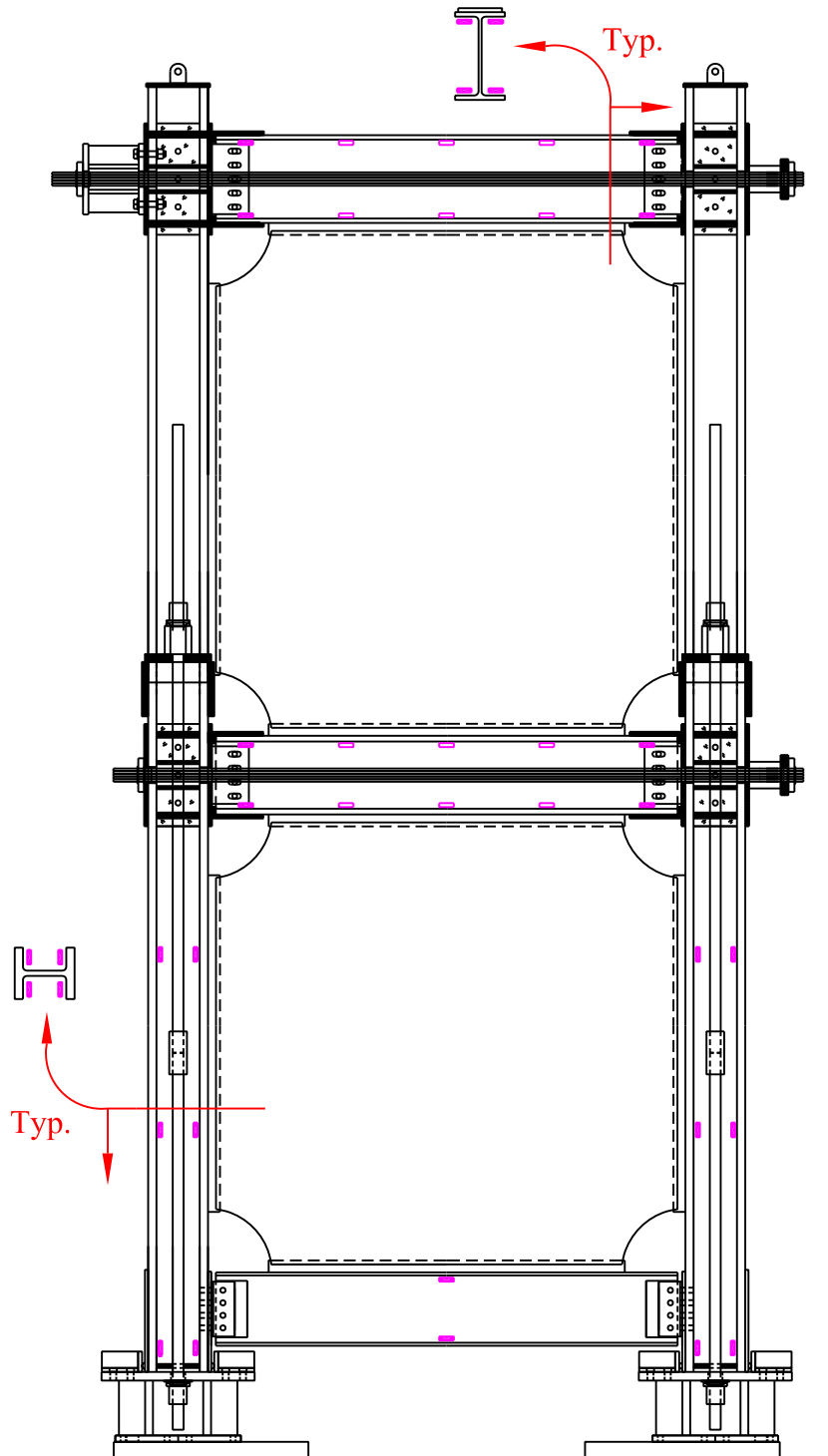


**LEGEND:**

- ▷ LP - Linear Pot (Qty. = 32)
- ▷ SP - String Pot (Qty. = 16)

Preliminary For Coordination

<b>University at Buffalo / University of Washington</b>			<b>DRWG:</b> 1/FR-I
<b>PROJECT:</b> NCREE Testing SC-SPSW		<b>CONTENT:</b> NZ Frame - Displ. Transducers	
<b>BY:</b> Tricia Clayton	<b>REVISION:</b>	<b>DATE:</b> 5/#/2012	<b>SCALE:</b> 1/4" = 1'-0"



**LEGEND:**

- Uniaxial Strain Gage (SG)  
(Quantity = 68)

**NOTE:**

Strain Gages Should Be  
Self-Temperature-Compensated  
Type Gages

Preliminary For Coordination

<b>University at Buffalo / University of Washington</b>			<b>DRWG:</b> 2/FR-I
<b>PROJECT:</b> NCREE Testing SC-SPSW		<b>CONTENT:</b> FR Frame - Strain Gages	
<b>BY:</b> Tricia Clayton	<b>REVISION:</b>	<b>DATE:</b> 5/#/2012	<b>SCALE:</b> 1/4" = 1'-0"